

# TERMINAL SPLICE CLOSURE

## FCLO-HO-01E-1-XXX-3MM

### IN-LINE FIBER MDU & FTTH DROP CABLE REPAIR SPLICE CLOSURE



#### GENERAL

FUSIONGUARD® is focussed in manufacturing a complete product line of outdoor, UV rated horizontal and vertical splice closures that are resistant to water and dust and have great mechanical properties. We offer a variety of completely sealed closures for FTTH applications as well as fiber repair.

#### IP 65 RATED

<b>Solid Particle Protection IP first digit rating level: 6</b>	Totally protected against dust ingress (dust-tight).
<b>Liquid Ingress Protection IP second digit rating level: 5</b>	Protected from water jets.

#### DESCRIPTION

The In-line fiber 3 mm cable repair splice closure is a unique, re-enterable, re-usable, small and easy to install IP68 rated closure that offers mechanical splicing in the same closure. This product is suited for FTTH Drop cable and MDU 3 mm providing an ideal solution for fiber repair or quick fiber installation.

#### CHARACTERISTICS

- IP68 rated:
  - 6: Protected from contact with harmful dust.
  - 8: Protected from immersion in water with a depth of more than 1 meter.
- Lightweight, versatile and compact design.
- RoHS 2011/65/EU Compliant.
- UV resistant (UL 746 f1).
- Fire protecting rating (UL 94 V-0).
- Engineered material.
- Excellent safekeeping of fibers from harmful conditions such as dust, rain and foreign agents.
- In-line applications.

Many of our splice closures are highly configurable. If you don't see what you are looking for or have questions about our ordering matrix contained on this spec sheet please e-mail us:

[info@fusionguard.com](mailto:info@fusionguard.com)

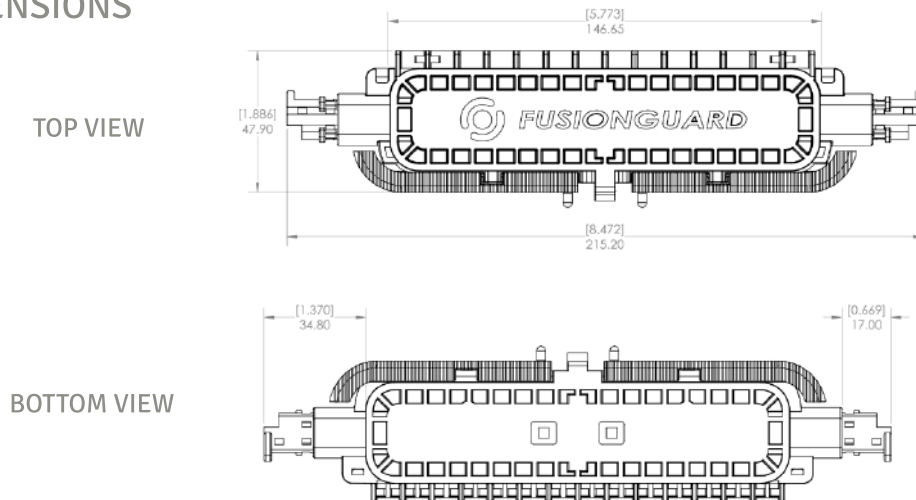
### TECHNICAL INFORMATION

FCLO-HO-01E-1-XXX-3MM	
Ingress Protection	IP65 (IP68 possible with vulcanized tape)
UV Resistant	Yes
Cable compatibles	0.12" x 0.08" (3 x 2)
Maximum number of fibers	1 fiber
Sealing gasket material	Engineered material
Dimensions - in (mm)	8.47" x 1.88" x 0.62" (215.2 x 47.9 x 16.0) +.15 mm / -.10mm
Operating temperature*	-40°F ~ +167°F (-40°C ~ + 75°C)
Color	Black
Approx Weight - lbs (g)	0.20 (92)
Tension**	3 lbf

\*Temperatures for operation, not for storage.

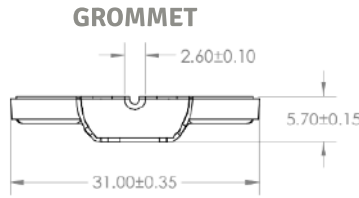
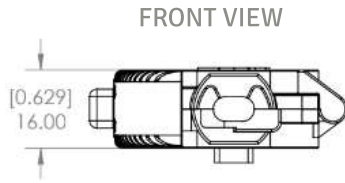
\*\*Without using clamps.

### DIMENSIONS



Note: Dimensions have a tolerance of +.15 mm/ -.10mm

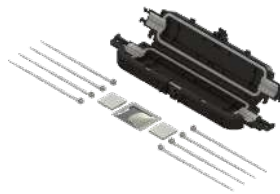
Note: Dimensions in mm [inches]



Grommet suitable for SQR and 3 mm MDU cables.

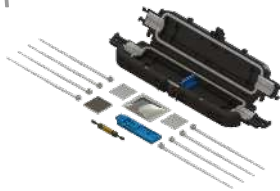
## CONFIGURATIONS

### FCLO-HO-01E-1-EMP-3MM



FCLO-HO-01E-1-EMP-3MM		
FCLO-HO-01E-3MM	HORIZONTAL 1F SPLICE CLOSURE 3 MM	1
EQ-10025BK	BLACK NYLON ZIP TIES UV RESISTANT	8
FCLO-CV-20MM	VULCANIZING TAPE 20 MM X 20 MM X 2 MM	2
SG-5G	SILICONE GREASE BAG 5 GR	1

### FCLO-HO-01E-1-PFMS-3MM



FCLO-HO-01E-1-PFMS-3MM		
FCLO-HO-01E-3MM	HORIZONTAL 1F SPLICE CLOSURE 3 MM	1
EQ-10025BK	BLACK NYLON ZIP TIES UV RESISTANT	8
FCLO-CV-20MM	VULCANIZING TAPE 20 MM X 20 MM X 2 MM	1
SG-5G	SILICONE GREASE BAG 5 GR	1
L925B-KIT	MECHANICAL SPLICE KIT	1

**FCLO-HO-01E-1-PSCA-3MM**


FCLO-HO-01E-1-PSCA-3MM		
FCLO-HO-01E-3MM	HORIZONTAL 1F SPLICE CLOSURE 3 MM	1
FA-SCA-A-S	SM SIMPLEX SC/APC ADAPTER	1
EQ-10025BK	BLACK NYLON ZIP TIES UV RESISTANT	8
FCLO-CV-20MM	VULCANIZING TAPE 20 MM X 20 MM X 2 MM	1
SG-5G	SILICONE GREASE BAG 5 GR	1

**FCLO-HO-01E-1-PSCU-3MM**


FCLO-HO-01E-1-PSCU-3MM		
FCLO-HO-01E-3MM	HORIZONTAL 1F SPLICE CLOSURE 3 MM	1
FA-SC-A-S	SM SIMPLEX SC/UPC ADAPTER	1
EQ-10025BK	BLACK NYLON ZIP TIES UV RESISTANT	8
FCLO-CV-20MM	VULCANIZING TAPE 20 MM X 20 MM X 2 MM	1
SG-5G	SILICONE GREASE BAG 5 GR	1

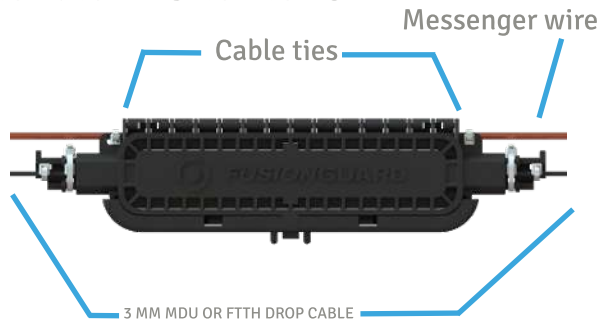
**FCLO-HO-01E-WKIT**


FCLO-HO-01E-WKIT		
CT-13604	8"X.18" STAINLESS STEEL CABLE TIE	1
1131314	#8 X 1 1/2" ZINC PAN PHILLIPS SHEET METAL SCREW	2
5014-PE-0000-006	CLOSURE MOUNTING BASE FCLO 1	1
PEB8-38	GREY #8 X 37.5MM WALL ANCHOR	2

Note: Kit included in each configuration. Installation tools are not included.

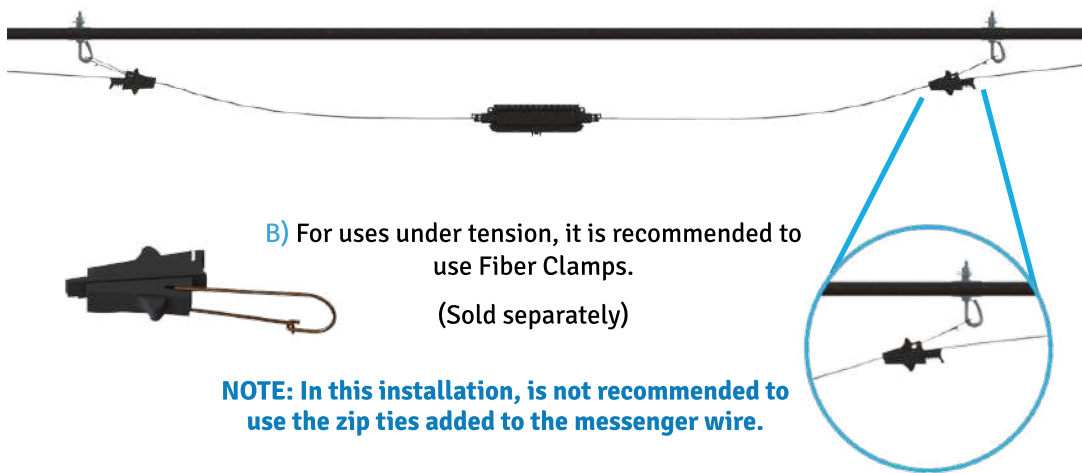
## INSTALLATION'S METHODS

### A) AERIAL INSTALLATION



A) Aerial installation can be made with the included cable ties.

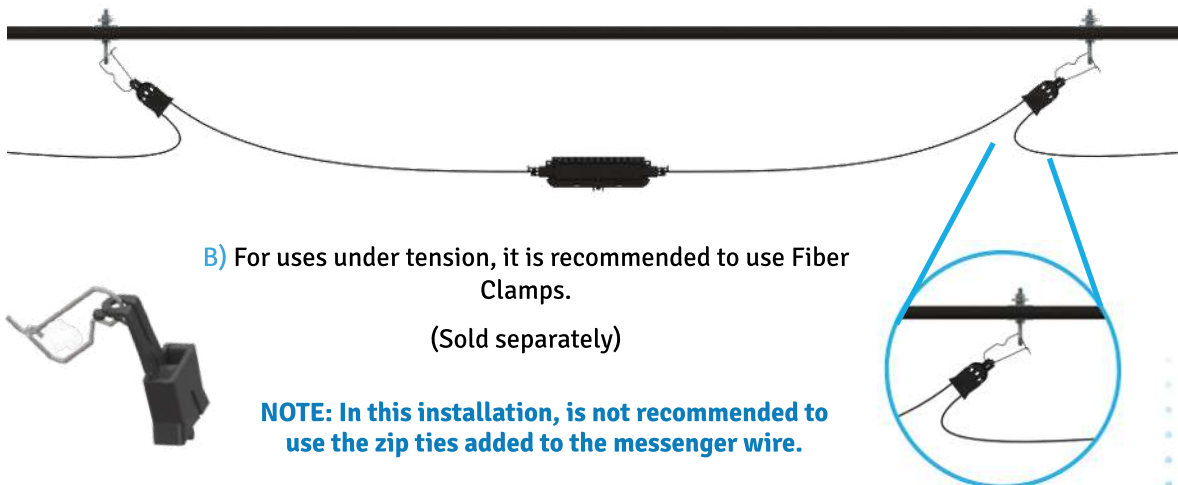
### B) AERIAL INSTALLATION - MICRO FLAT DROP CABLE



B) For uses under tension, it is recommended to use Fiber Clamps.  
(Sold separately)

**NOTE:** In this installation, is not recommended to use the zip ties added to the messenger wire.

### B) AERIAL INSTALLATION- 3 MM MDU DROP CABLE



B) For uses under tension, it is recommended to use Fiber Clamps.  
(Sold separately)

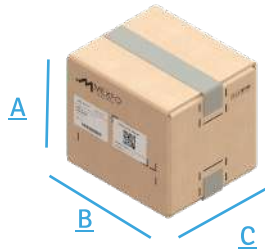
**NOTE:** In this installation, is not recommended to use the zip ties added to the messenger wire.

**PACKAGING**

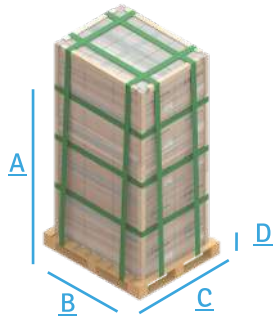
One closure and a wall mount kit per packaged in a 8" x 10" plastic bag



**MOQ's**

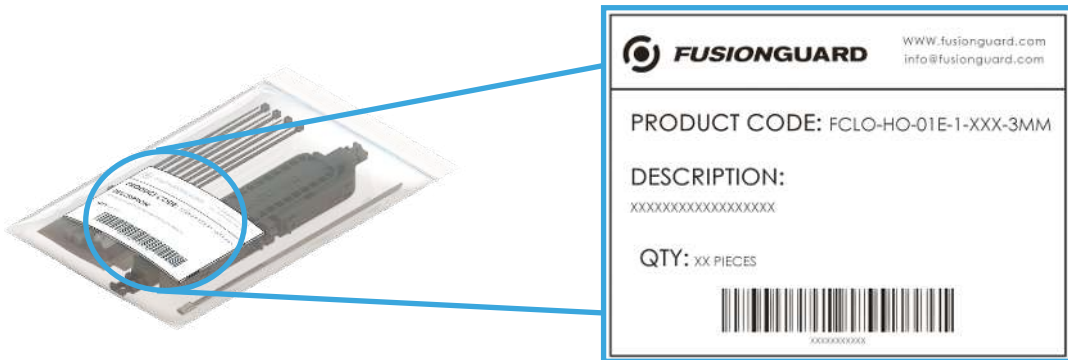


Qty. per box FONCS02-M	A in/(mm)	B in/(mm)	C in/(mm)	Approx Weight lb/(kg)
50 pieces	11.81" (300)	9.84" (250)	9.84" (250)	10.14 (4.6)



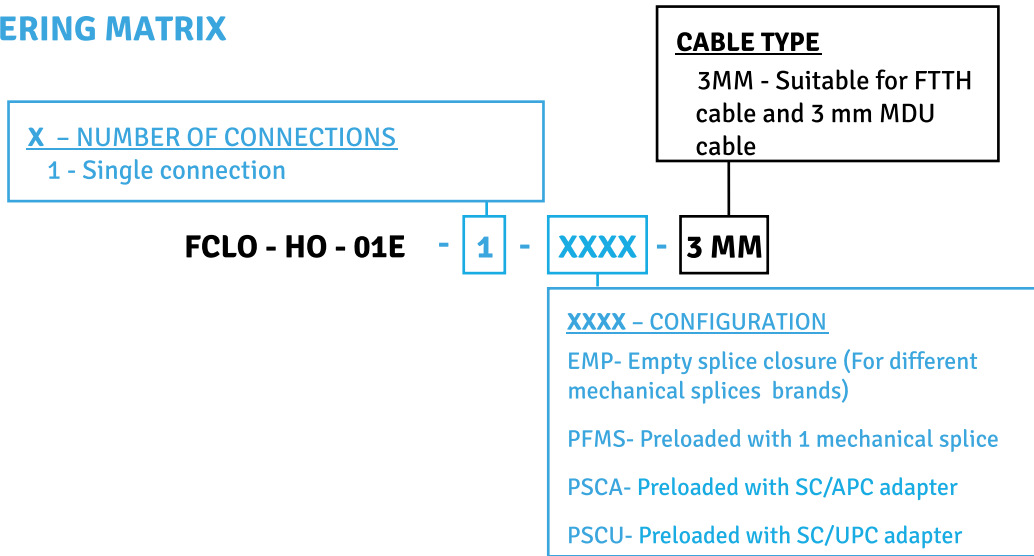
Quantity per pallet	Side A in/(mm)	Side B in/(mm)	Side C in/(mm)	Side D in/(mm)	Approx. Weight lb(kg)
3,000 pieces	82.75" (2102)	47.2" (1200)	39.4" (1000)	5.5" (140)	634.93 (288)

**LABEL SPECIFICATIONS**





**ORDERING MATRIX**



**WARNINGS**

Pre-lubricated item. Avoid leaving the splice closure open. For IP68 improvement add silicone grease at the gasket before closing it.

In case of that the splice hinges slips out of place as shown, it can be returned to its place.

Consult in: IN-LINE FIBER MDU & FTTH DROP CABLE REPAIR SPLICE CLOSURE.



**RECOMMENDATIONS**

IN LINE TERMINAL SPLICE CLOSURE is designed for mechanical splices not bigger than the next measures:

