

# MULTIPOINT SERVICE TERMINALS

## FCT-04-AO-XXX-T-XXXXF-C

### 4 PORTS FILUX MULTIPOINT SERVICE TERMINAL



#### GENERAL

FUSIONGUARD® manufactures a complete line of Multipoint Service Terminals for use in outside plant fiber access networks in Fiber-To-The-X (FTTx) solutions.

Our products offer fast deployment, plug & play applications that help shortening installation time and reducing costs required to connect customers in FTTx networks.

Quick access to your network allows maintenance and troubleshooting, allowing incremental connection of subscribers.

The IP rate of our Multipoint Service Terminals ensures resistance to outdoor environmental conditions.

#### IP 68 RATE

<b>Solid Particle Protection IP first digit rating level: 6</b>	Totally protected against dust ingress (dust-tight).
<b>Liquid Ingress Protection IP second digit rating level: 8</b>	Protected from water ingress while immersed in deep water.

#### DESCRIPTION

This FILUX OptiTap® compatible Multipoint Service Terminal it is a "Thin-Wall" splice closures designed specifically for last mile applications as the externally mounted hardened adapters offer an easy "plug-and-play" solution, allowing future installation without closure re-entry. This Multipoint Service Terminal has a capacity of up to 4 connector ports pre-connectorized with the corresponding pigtail and can be adapted depending on the configuration.

#### CHARACTERISTICS

- IP68 rated.
- Excellent safekeeping of fibers from harmful conditions such as dust, rain and foreign agents.
- UV resistant.
- Closure sealed, preventing harm on internal connection.
- 4 FILUX Hardened Adapters.
- Includes wall, pole and aerial installation kits.

Many of our splice closures are highly configurable. If you don't see what you are looking for or have questions about our ordering matrix contained on this data sheet please e-mail us

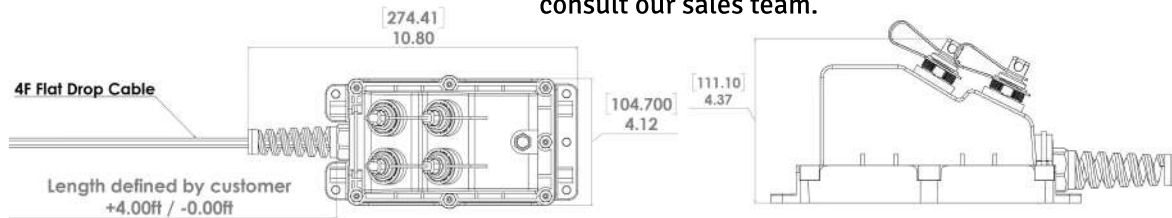
[info@fusionguard.com](mailto:info@fusionguard.com)

### TECHNICAL INFORMATION

	FCT-04-AO-XXX-T-XXXXF-C
Ingress Protection	IP68
UV resistant	Yes
Chemical Resistant	Sulfuric Acid (3% H2SO4 by weight)
Material	Hardened plastic
Sealing material	Silicone rubber
Sealing type	Bolt
Dimensions - in (mm)	4.12" x 10.8" x 4.37" (104.7 x 274.41 x 111.1), without cable
Approx Weight - lbs. (kg)	1.0 (0.49), without cable
Weight of cable dielectric (lbs/kft ±10%)	21.7
Weight of cable toneable (lbs/kft ±10%)	25.4
Max. Pole Diameter	Up to 8" (203.2 mm)*
Aerial Installation Max. Cable Diameter	Up to 3/4" (19 mm)*

### DIMENSIONS

\*For more options on field installation, please consult our sales team.



\*Sizes in [mm] inches.

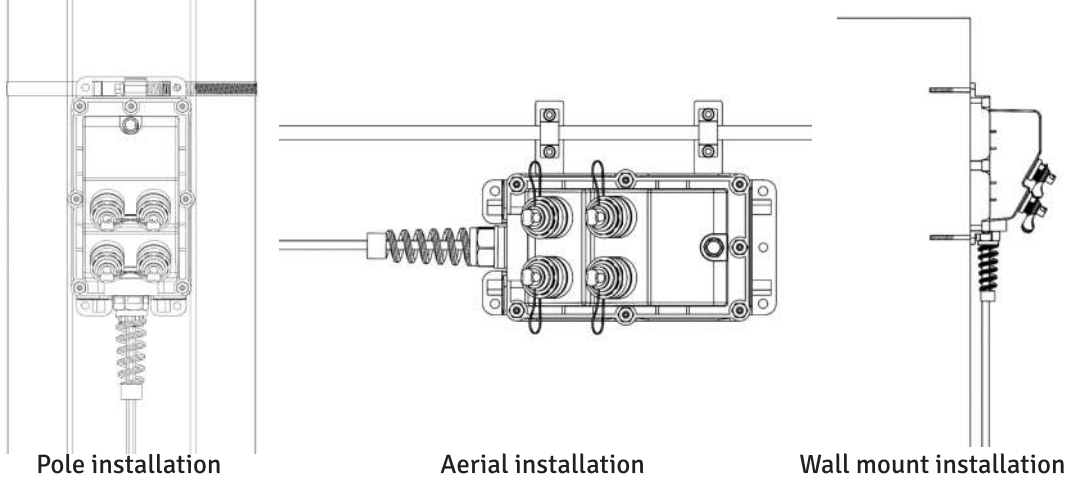
### INCLUDES

\*Tolerance ±[1mm] 0.039in

No.	Quantity	Description	No.	Quantity	Description
1	1 piece	4 ports Multiport Service Terminal	2	1 kit	Installation kit and IL RL Test Report

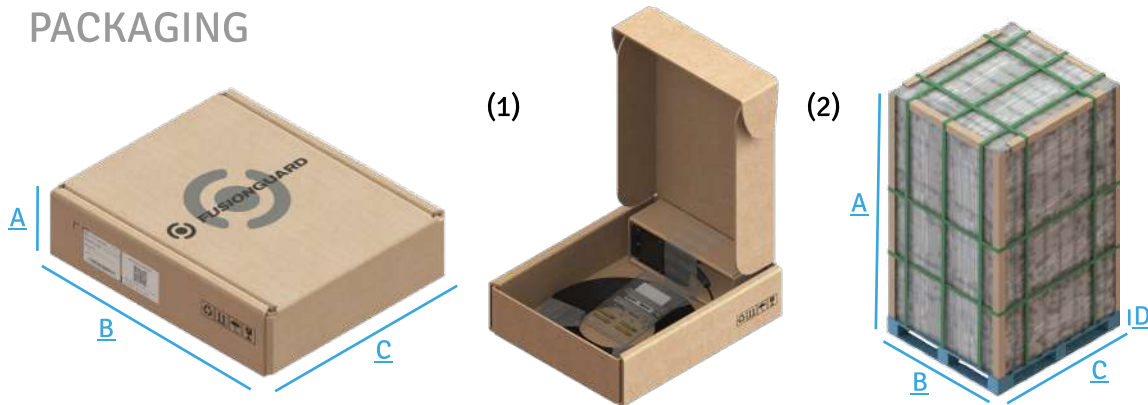


INSTALLATION DETAIL

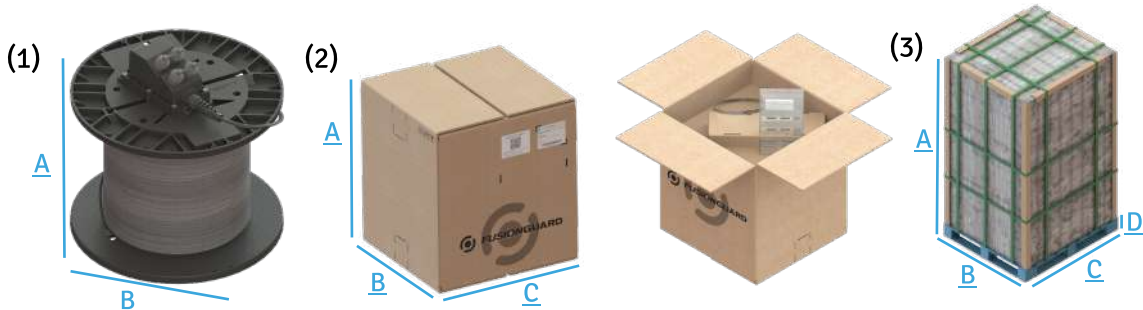


SINGLE MODE SPECIFICATIONS	
POLISHING	APC (ANGLED PHYSICAL CONTACT)
CONNECTOR TYPE	HARDENED SC
Max. Insertion Loss (1,310nm & 1,550nm)	≤0.4 dB
Max. Return Loss (1,310nm & 1,550nm)	≤ -65 dB
Cable Max. attenuation (1,310nm / 1,550nm)	0.36/0.25 (dB/km)

PACKAGING



50 ft to 750 ft					
Part No.	Quantity per pallet	Side A in/(mm)	Side B in/(mm)	Side C in/(mm)	Side D in/(mm)
(1) Individual box FONCS19H-F CC-MST BASE19H	48	6.06" (154)	23.14" (588)	19.52" (496)	-
(2) Pallet 1113-CERT	-	78.26" (1,884)	48" (1,219)	40" (1,016)	5.5" (140)



800 ft to 2000 ft					
Part No.	Quantity per pallet	Side A in/(mm)	Side B in/(mm)	Side C in/(mm)	Side D in/(mm)
(1) Reel EM-1136	16	12" (304.8)	18" (457.2)	-	-
(2) Master box EM-1024B-F CC-MST CC-KRAFTM	16	20.07" (510)	19.29" (490)	19.01" (483)	-
(3) Pallet 1113-CERT	-	85.82" (2180)	48" (1,219)	40" (1,016)	5.5" (140)

### LABEL SPECIFICATIONS



### CONFIGURATION

Code	Description
FCT-04-AO-XXX-T-XXXXF-C	4 ports, Filux Multiport Service Terminal, preloaded with 4 Filux SC-APC hardened adapters. All mounting kits are included.

### ORDERING MATRIX

