

HARDENED DROP FIBER OPTIC JUMPER ASSEMBLIES

FJ-02-XX-SCHA-XXX-XX-XXXXX-X
IP GRADE OUTDOOR ASSEMBLIES

This factory preterminated flat drop jumper is the industry standard for existing FTTx installations, it provides a quick and easy "plug and play" connection from the pedestal or handholes to the network terminals (ONTs) and can be installed in aerial, direct-buried or duct installations, reducing the cost and time of drop cable deployment simplifying installation and maintenance.

These factory-based assemblies are machine polished to ensure excellence in performance intermateability and durability. All jumpers are video inspected to ensure connector end-faces are free of defects and contamination. Insertion loss is tested using standard-based testing procedures since it is environmentally sealed.



2F SC / APC Filux Hardened
Connector to SC/ APC Drop
Fiber Optic Cable Assemblies

APPLICATIONS

- FTTx application

GENERAL CHARACTERISTICS

- Custom lengths from 20 to 2000FT
- Serial number for each jumper
- 2-core flat drop loose tube cable
- UV resistant
- Operating temperatures: -13° F to +158° F [-25° C to +70°C]
- Storage temperature: -40° F to +158° F [-40° C to +70°C]
- All jumpers are 100% tested
- Environmentally stable.
- Optitap® Compatible

STANDARDS

- GR-326-CORE
- GR-3120-CORE
- GR-1209 / 1221-CORE
- RoHS



Many of our fiber optic cable assemblies are highly configurable. If you don't see what you are looking for or have questions about our ordering matrix contained on this spec sheet, please email us info@mexfoserv.com



"PLUG AND PLAY" CONNECTION



CHARACTERISTICS

FILUX HARDENED CONNECTOR SPECIFICATIONS				
CONNECTOR TYPE	SC			
CONNECTOR POLISHING	APC (ANGLED PHYSICAL CONTACT)			
Insertion Loss (1310nm & 1550nm)	≤ 0.40dB			
Return Loss (1310nm & 1550nm)	≥ - 65dB			
Total Cable Assembly Insertion Loss per side Hardened Connector + Hardened Connector (1310nm & 1550nm)	0.80 Maximum			
Ferrule Angle	8° ± 0.3°			
Ferrule Type	Zirconia Ceramic			
Ferrule Diameter	2.5mm			
Operational Temperature	-40°C ~ 75°C			
SINGLE-MODE CONNECTOR SPECIFICATIONS				
CONNECTOR POLISHING	UPC (ULTRA-PHYSICAL CONTACT)		APC (ANGLED PHYSICAL CONTACT)	
CONNECTOR TYPE	SC	LC	SC	LC
Standard body color	Blue	Blue	Green	Green
2mm boot color	Blue	Blue	Green	Green
Max. Insertion Loss (1310nm & 1550nm)	≤ 0.20 dB		≤ 0.20 dB	
Min. Return Loss (1310nm & 1550nm)	≥ -55dB		≥ -65 dB	
Total Cable Assembly Insertion Loss per side Hardened Connector + Standard Connector (1300nm & 1550nm)	0.60 Maximum		0.60 Maximum	
Ferrule Type	Ceramic		Ceramic	
Ferrule Diameter	2.5mm	1.25mm	2.5mm	1.25mm
Operational Temperature	-13° F to +158° F [-25° C to +70°C]			



SINGLE-MODE CABLE SPECIFICATIONS

FLAT DROP LOOSE TUBE CABLE

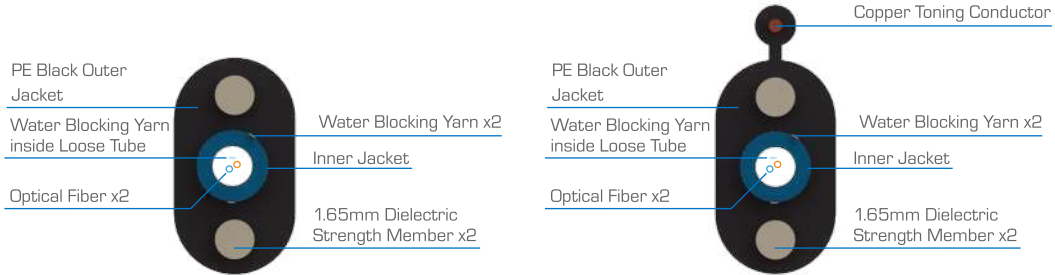


Fig. 1 Flat drop cable dry

- Allows deployment near power line and utilities

Fig. 2 Toneable flat drop cable dry

- Allows traceability throughout the network

Note: Images for reference only

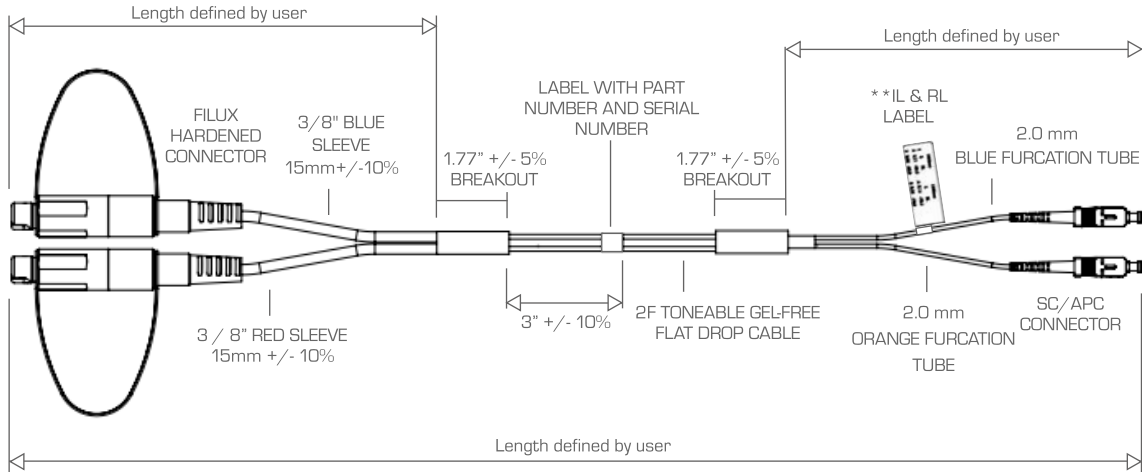
FLAT DROP LOOSE TUBE CABLE SPECIFICATIONS		
CABLE TYPE	Flat Drop Loose Tube Cable Dry	Toneable Flat Drop Loose Tube Cable Dry
Acrylate coated fiber diameter	250µm	
Loose tube material/diameter (mm) (inches)	PBT / 3mm (0.11")	
Nominal outer dimensions	8.0 x 4.5mm (0.32 x 0.18")	10.0 x 4.5mm (0.39 x 0.18")
Cable weight	32kg/km (26lb/kft)	39kg/km (30lb/kft)
Max. Attenuation (dB/km)	0.4 (1310nm) / 0.3 (1550nm) (dB/Km)	
Tensile strength long-term/short-term	400N/1350N	
Crush resistance (short-term/long-term)	2200N/100mm / 1100N/100mm	
Minimum bend radius (operation/installation)	10 x OD / 20 x OD	

SINGLE-MODE FIBER SPECIFICATIONS

SINGLE-MODE FIBER TYPES AND SPECIFICATIONS		
FIBER TYPE	G657A1	
Mode field diameter (µm)	1,310nm	8.4 ~ 9.2
	1,550nm	9.3 ~ 10.3
Waveoptics® fiber type	T	



DIMENSIONS



Note: The Drop Fiber Optic Jumper tolerances are:

> 0 ≤ 1000 ft + 6 ft / - 0 ft
 > 1000 ft ≤ 2000 ft + 8 ft / - 0 ft

** IL & RL Test Label: The label includes the IL & RL test of both connectors [A & B]

BOX PACKAGING SPECIFICATIONS

1

ASSEMBLIES FROM 20 ft TO 300 ft



INDIVIDUAL ZIPPER BAG



PACKAGING BOX



MASTER BOX



PALLET

2

ASSEMBLIES FROM 301 ft TO 1000 ft



INDIVIDUAL COIL



PACKAGING BOX



MASTER BOX



PALLET

REEL PACKAGING SPECIFICATIONS

3

ASSEMBLIES FROM 301 ft TO 700 ft



PLASTIC REEL

4

ASSEMBLIES FROM 701 ft TO 1000 ft



PLASTIC REEL

5

ASSEMBLIES FROM 1001 ft TO 2000 ft



PLASTIC REEL



INDIVIDUAL REEL BOX



PALLET

CODE: FJ-02-FT-SCHA-SCHA-48-0020-T

DESCRIPTION:
 2F TFD SCHA-SCHA 48IN BO 20FT SM G657.A1 JUMPER

QTY: 1 PIECE

LABEL WITH PRODUCT INFORMATION



BOX PACKAGING SPECIFICATIONS								
1	Length	16 x 18" Zipper bag 1129	3 x 4" Label	Assemblies per 58.4X 49 X 23.5 CM packing box FONCS17-M	Cable ties	Master box 60.4 x 51 x 51 cm FONCS15-M	Assemblies per master box	Master boxes per pallet
	20-50 ft	1	3	15	4	Fits 2 packaging boxes	30	16
	51-75 ft	1	3	12	4		24	
	76-100 ft	1	3	9	4		18	
	101-150ft	1	3	6	4		12	
	Length	20 x 20" Zipper bag S-12259	3 x 4" Label	Assemblies per 58.4X 49 X 23.5 CM packing box FONCS17-M	Cable ties	Master box 60.4 x 51 x 51 cm FONCS15-M	Assemblies per master box	Master boxes per pallet
151-300 ft	1	3	3	4	Fits 2 packaging boxes	6	16	
2	Length		3 x 4" Label	Assemblies per 50 x 19.8 x 50 cm packing box FONCS16-M	Cable ties	Master box 60.4 x 51 x 51 cm FONCS15-M	Assemblies per master box	Master boxes per pallet
	301-1000 ft		2	1	4	Fits 3 packaging boxes	3	16
REEL PACKAGING SPECIFICATIONS								
3	Length		3 x 4" Label	Individual reel	Individual reel box	Boxes per pallet		
	301-700 ft		2	EM-1126 reel 20.5 x 16 x 36.5 cm	EM-1030A-M box 38.7 x 23.8 x 39 cm	60		
4	701-1000 ft		2	EM-1125 reel 34 x 30.5 x 36.5 cm	EM-1031A-M box 38.7 x 37.4 x 40.2 cm	45		
5	1001-2000 ft		2	EM-1136 reel 34.02 x 30.5 x 45.75 cm	EM-1024A-M box 48.1 x 37.2 x 48.5 cm	24		

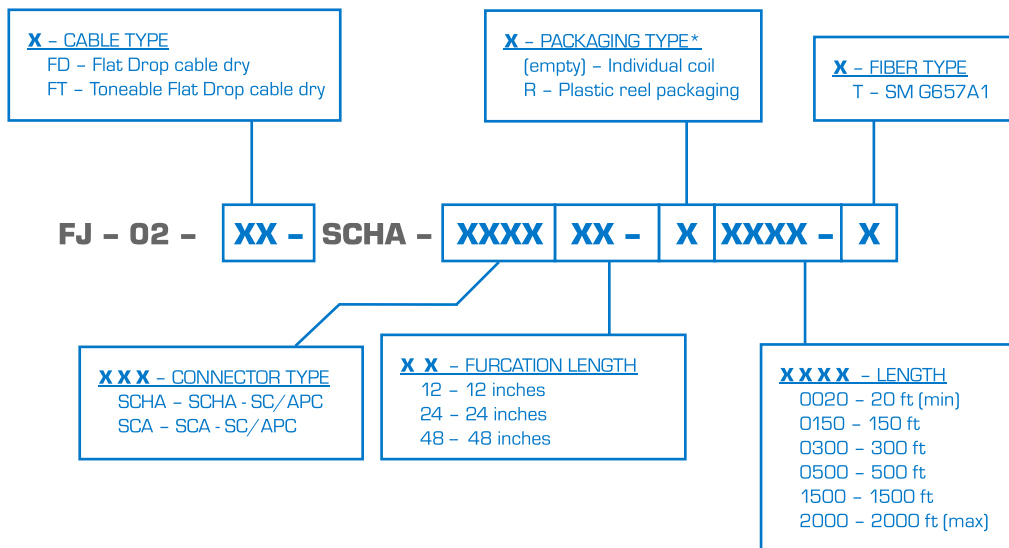
Notes:

1. Assemblies from 20FT to 100FT will be in leaps from 10FT to 10FT.
 2. Assemblies from 100FT to 300FT will be in leaps from 25FT to 25FT.
 3. Assemblies from 300FT and above will be in leaps from 50FT to 50FT.
- All boxes are mounted on a 1x1.2m (40 x 48") CERT-1113 certified pallet.



ORDERING MATRIX

SC / APC HARDENED CONNECTOR HARDENED DROP FIBER OPTIC JUMPER ASSEMBLIES


Notes:

- The 5.0mm furcation cable is always black. The 3.0mm blue and orange furcation color is according to TIA-598-C.
- * Configurable packaging type only available for assemblies between 301 to 1000 feet.

