

FILUX SC/APC HARDENED ADAPTER

FA-SCHA-A-S
ADAPTERS

The MEXFOSERV® FILUX SC/APC Hardened Adapter is used to link a number of preconnected applications, such as terminals and network interface devices (NIDs). The robust Hardened Connector on one side and a SCA connector on the other are both supported by the environmentally resistant adapter.

This revolutionary design considerably decreases the time and cost of installation and network expansion, making it an essential component of preconnected solutions.



FILUX SC/APC Hardened Adapter

APPLICATIONS

- Outside plant deployment
- FTTX

GENERAL CHARACTERISTICS

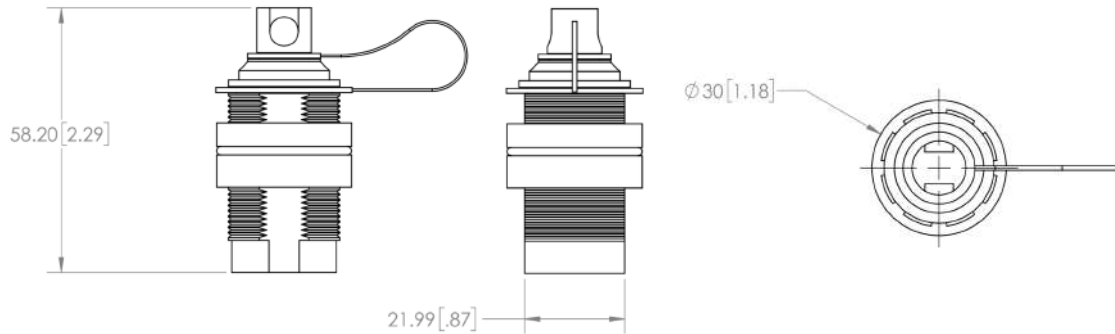
- Hybrid Hardened Connector to SCA adapter
- Environmentally stable

STANDARDS

- GR-3120-CORE

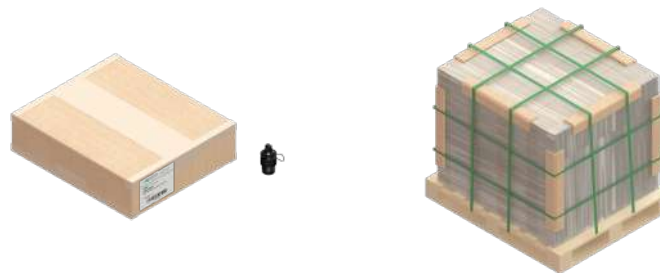


DIMENSIONS



PACKAGING SPECIFICATIONS

PACKAGING TYPE	
Master box	72 pieces inside a 290 x 240 x 70mm (11.42 x 9.45 x 2.76") FONCS00-SL Master box (365 gr)
Pallet packaging	10 beds with 12 boxes in each bed, 120 FONCS00-SL boxes in total on the pallet, protected by stretch wrap, strapping and corner protectors. (43.82 kg total weight)



ORDERING MATRIX

FILUX SC/APC HARDENED ADAPTER

FA - SCHA - A - S

FILUX SC/APC HARDENED ADAPTER

