

2MM PLC SPLITTER

FPLC-XXXX-XXX-XXX-A20
FIBER SPLITTER

MEXFOSERV® is a complete product line of connectivity related products to support high speed telecommunications. Our designs offer the best quality and engineering solutions for every necessity and an excellent integration for network management.

The PLC (Planar Lightwave Circuit) Splitter is one of the most important devices in fiber optic links, it is based on a quartz substrate to divide optic signals. ABS splitters provide a complete protection for all the optical components inside. This kind of splitters are more reliable for installation on passive optical networks.

APPLICATIONS

- FTTX
- PON networks
- CATV

GENERAL CHARACTERISTICS

- Low insertion loss
- Low PDL (Polarization Dependent Loss)
- Compact design
- Even split ratio
- 1260nm to 1650nm wavelength range
- Operational temperature: -40°C ~ +85°C (-40°F ~ 185°F)
- High reliability & stability
- ABS module type

STANDARDS

- GR-1209-CORE
- GR-1221-CORE
- RoHS



2MM PLC SPLITTER



Many of our PLC splitters are highly configurable. If you don't see what you are looking for or have questions about our ordering matrix contained on this spec sheet, please email us info@mexfoserv.com

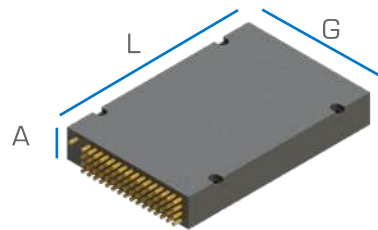


SPECIFICATIONS

SPECIFICATIONS								
PARAMETERS		1X02	1X04	1X08	1X12	1X16	1X32	1X64
Wavelength		1260 ~ 1650 nm						
Fiber type		G657A1						
Insertion loss (dB)	Max	4.0	7.1	10.4	12.2	13.7	17.0	20.3
Uniformity loss (dB)	Max	0.5	0.6	0.8	0.8	1.0	1.2	1.5
Polarization Dependent Loss (dB)	Max	0.2	0.3	0.3	0.3	0.3	0.3	0.4
Return loss (dB)	Min	≥ -50 for UPC Splitter ≥ -55 for APC Splitter						
Directivity (dB)	Max	≥ 55						
Operational temperature (°C)	Max	-40°C ~ 85°C (-40°F ~ 185°F)						
Storage temperature (°C)	Max	-40°C ~ 85°C (-40°F ~ 185°F)						
Relative humidity (RH%) at storage temperature	Max	20 ~ 90						
Loss per connector (dB)		0.2						
Note: 1. All tests have been done for wavelengths of 1310nm & 1550nm. 2. Insertion loss has been tested without connector loss. 3. Connectorized Splitters have a 15.0 ± .02mm short boot. 4. Add an additional 0.2dB loss per connector								

DIMENSIONS

DIMENSIONS	
Length (L)	100 mm (3.94")
Width (G)	80 mm (3.15")
Height (A)	10 mm (0.39")



Tolerances: +/- 0.3mm



PACKAGING

PACKAGING TYPE	
1 pc plastic blister	265x225x20 (10.43 x 8.86 x .79") plastic blister (30gr)
75 pieces	100 individual packages inside a 470x470x280mm (18.5 x 18.5 x 11.02") (2.25 kg)

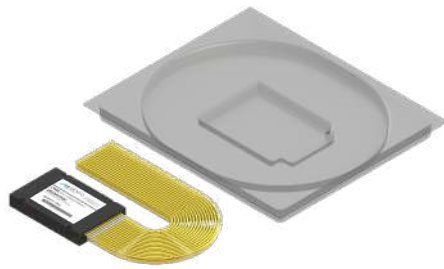


Fig. 1: Individual package



Fig. 2: Master box

PALLET PACKAGING	
Pallet	1 x 1.2mts (40 x 48") standard pallet
Maximum capacity	7 beds with 4 master boxes each one, with a total of 28 boxes per pallet, protected with plastic film, corner protectors & metal strips (83kg).



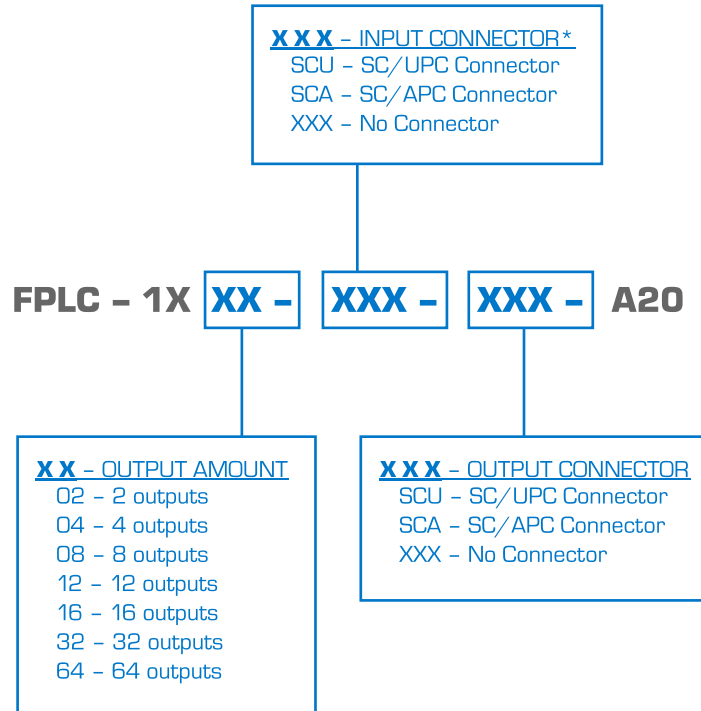
Fig. 3: Pallet packaging

Note: Illustrative images



ORDERING MATRIX

2MM PLC SPLITTER


Notes:

* Connectorized input with no connector output configurations are assembled upon special request. Please contact your Sales Executive for further information.

