

DEAD ENDS

FIBER OPTIC THIMBLES



HGTC-50-US



HGTC-1/4-US



HET-70-X



HGTC-10-US



HGTC-50-P-US

Note: Illustrative images

\GENERAL

\DESCRIPTION

AERIALGRIP® thimbles are used in conjunction with dead ends and are intended to provide a smooth internal surface to help reduce stress concentration within the loop of the dead-end and increase the resistance of the dead-end steel.

These thimbles and extension link are made from hot dipped galvanized steel, they are fully reusable and ideal for ADSS and figure 8 cables. Maintenance is easy since you only need to remove one clevis pin to withdraw the steel pin that holds the assembly together.

The thimble clevis and extension link can be sold separately as accessories or pre-assembled. Extension links are normally recommended by cable manufacturers to reduce the cable's radius of curvature and increase cable performance.

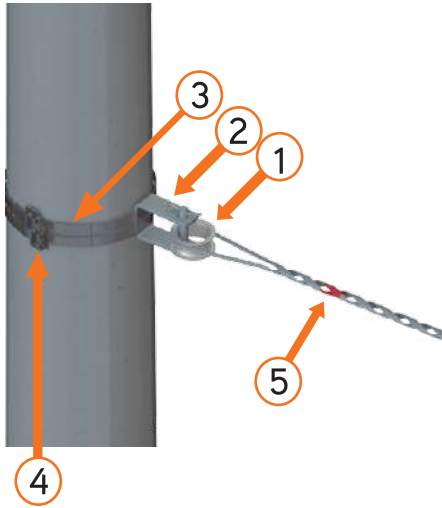
\FEATURES

- Corrosion resistant
- Manufactured with hot dipped galvanized steel
- ASTM A153 compliant
- Increases dead-end performance and durability
- Can be sold separately or as a pre-assembled kit



\APPLICATION

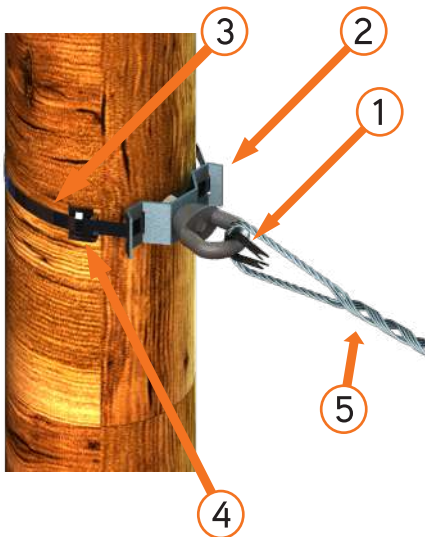
\HGTC-10 Thimble - Light Tension



| | CODE | DESCRIPTION | PICTURE |
|----|--------------------|---------------------------------|---------|
| 1) | HGTC-10 | 10KN THIMBLE | |
| 2) | DHTD-2F | LAMP POST INSTALLATION HARDWARE | |
| 3) | HF-X/X-30 | STRAP AND BUCKLES | |
| 4) | HB-X/X-100 | | |
| 5) | HPXXX-XX.X-XX.X-XX | DEAD-END FOR ADSS CABLE | |

Table 1.

\HGTC-1/4 Thimble - Light Tension

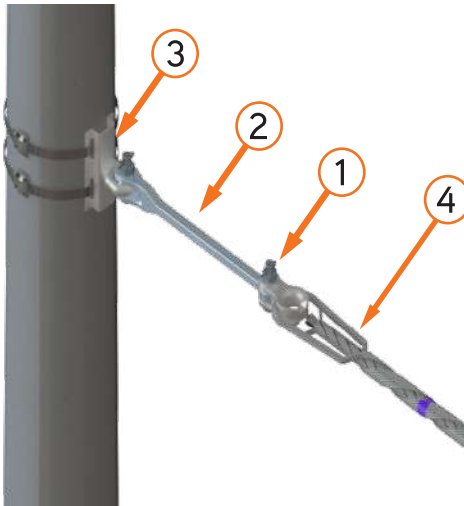


| | CODE | DESCRIPTION | IMAGES |
|----|--------------------|---------------------------------|--------|
| 1) | HGTC-1/4 | 1/4" THIMBLE | |
| 2) | HSP-100-1-3/4 | LAMP POST INSTALLATION HARDWARE | |
| 3) | HF-X/X-30 | STRAP AND BUCKLE | |
| 4) | HB-X/X-100 | | |
| 5) | HPXXX-XX.X-XX.X-XX | DEAD-END FOR ADSS CABLE | |

Table 2.

Note: Illustrative images

\HGTC-50-X Thimble clevis and HET-70 extension link - High Tension

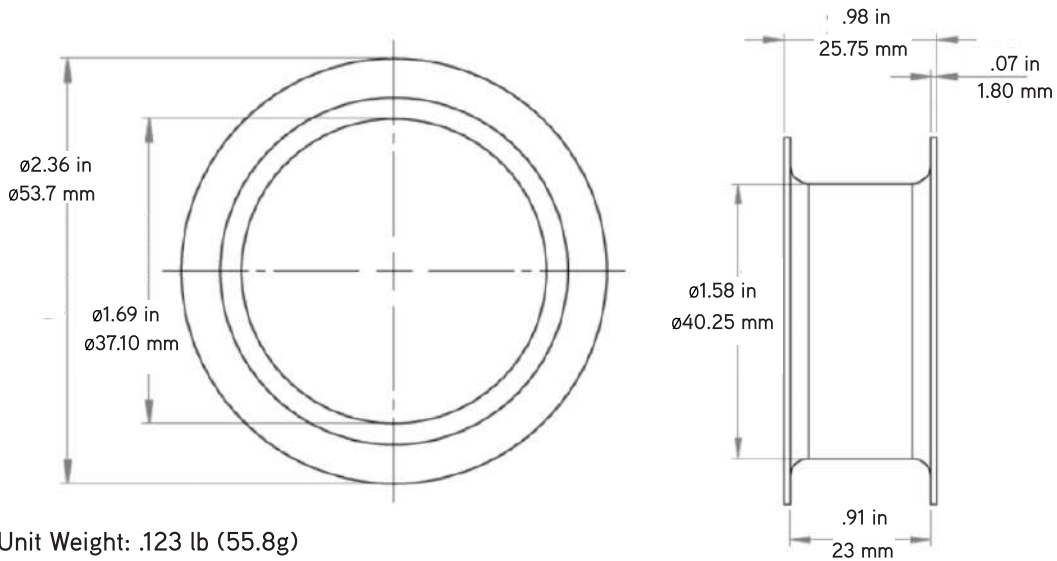


| | CODE | DESCRIPTION | PICTURES |
|----|--------------------|-------------------------------|----------|
| 1) | HGTC-50-P | PRELOADED 50KN THIMBLE CLEVIS | |
| 2) | HET-70-P | PRELOADED 70KN EXTENSION LINK | |
| 3) | 4106 | 5/8" X 16" OVAL EYEBOLT | |
| 4) | HPXXX-XX.X-XX.X-XX | DEAD-END FOR ADSS CABLE | |

Table 3.

\DIMENSIONS

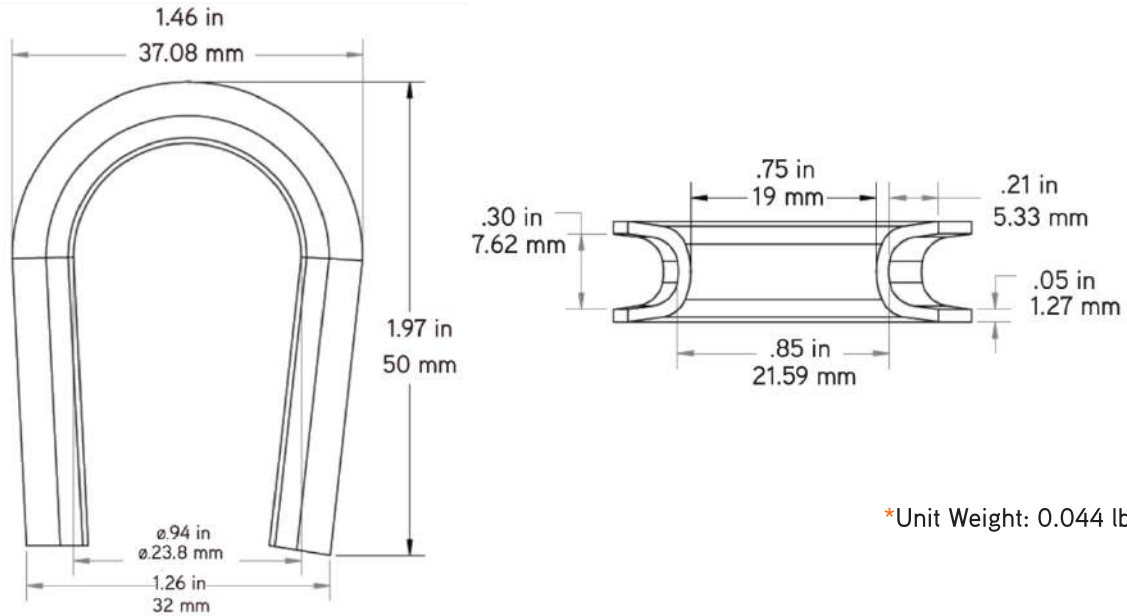
\HGTC-10 Thimble



*Unit Weight: .123 lb (55.8g)

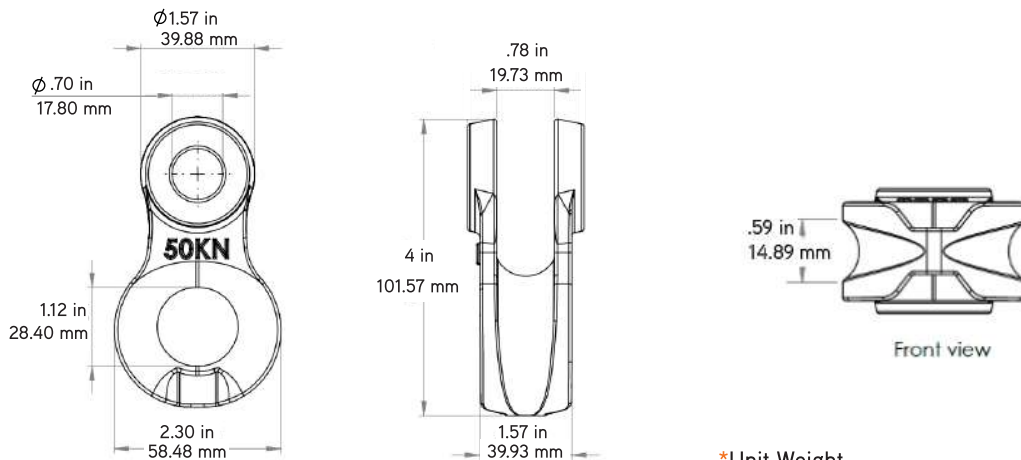
Note: Illustrative images

\HGTC-1/4 Thimble



*Unit Weight: 0.044 lb (20 g)

\HGTC-50 & HGTC-50-P Thimble Clevis



*Unit Weight.
 HGTC-50: 0.926 lb (420 g)
 HGTC-50-P: 1.24 lb (565 g)

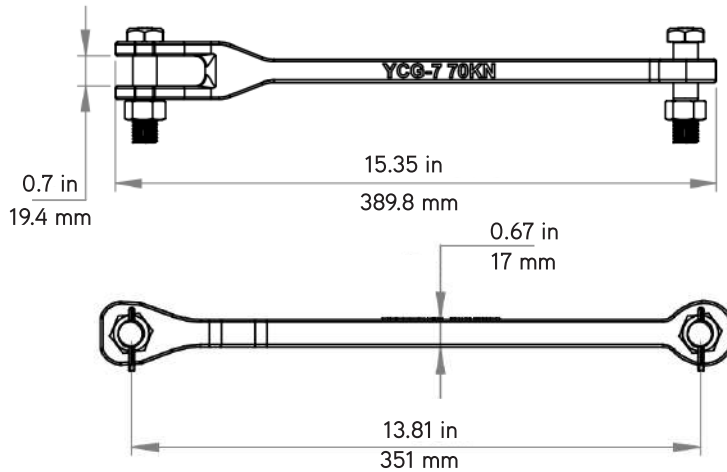
Note: Thimble's main body dimensions apply for HGTC-50 and HGTC-50-P

Note: Dimensions in inches and millimeters

www.aerialgrip.com
info@aerialgrip.com

Note: Bolt, nut and cotter pin dimensions for HGTC-50-P and HET-70-P

\HET-70-P Extension link



*Unit Weight: 1.14 lb (520 g)

*Unit Weight: 1.14 lb (520 g)

Notes: Dimensions in inches and millimeters
HET-70-P includes 2 set of hardware (2 bolts, 2 nuts, and 2 cotter pins)

\ PACKAGING

\ HET-70-X 70KN EXTENSION LINK

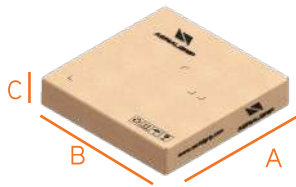


Fig 1: FONCS14-A. 10 piece packaging.
(Empty box weight = 0.7 lb / 0.32kg)

| Box | A (in/mm) | B (in/mm) | C (in/mm) | Weight (lb/kg) |
|----------|-----------|-----------|-----------|----------------|
| HET-70-P | 19.4/493 | 19.4/493 | 3.6/92 | 23.6 / 10.72 |



Note: Illustrative images

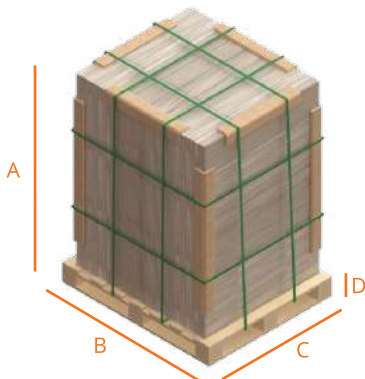


Fig2: 600 piece pallet. (Pallet weight = 44.1 lb / 20 kg)

www.aerialgrip.com
info@aerialgrip.com

| Pallet | A (in/mm) | B (in/mm) | C (in/mm) | D (in/mm) | Weight (lb/kg) |
|---|-----------|-----------|-----------|-----------|----------------|
| HET-70-P | 59.8/1520 | 48/1219.2 | 40/1016 | 5.5/140 | 1462.1/663.2 |
| Pallet arrangement: 2x2x15 boxes (60 boxes total) | | | | | |

Note: Boxes and pallet weight included

\ HGTC-50-X-US THIMBLES

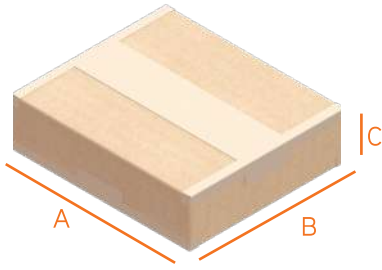


Fig 3: FONCS00-SL. 24 piece packaging.
(Empty box weight = 0.44 lb / 0.2kg)

| Box | A (in/mm) | B (in/mm) | C (in/mm) | Weight (lb/kg) |
|-----------|-----------|-----------|-----------|----------------|
| HGTC-50 | 11.8/300 | 9.85/250 | 3.3/85 | 24 / 10.9 |
| HGTC-50-P | 11.8/300 | 9.85/250 | 3.3/85 | 30 / 13.6 |

Notes: Box weight included



Note: Illustrative images

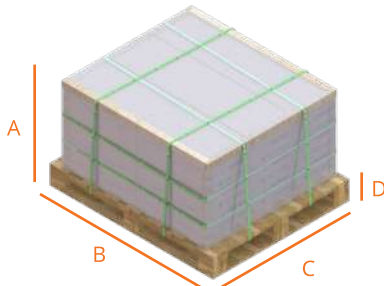


Fig 4. Full pallet.
(Box arrangement 4x4 with 5 layers max*)

| Pallet | A (in/mm) | B (in/mm) | C (in/mm) | D (in/mm) | Weight (lb/kg) |
|-----------|-----------|-----------|-----------|-----------|----------------|
| HGTC-50 | 22.2/565 | 48/1219.2 | 40/1016 | 5.5/140 | 1878.4 / 894.2 |
| HGTC-50-P | 18.9/480 | 48/1219.2 | 40/1016 | 5.5/140 | 1885.4 / 892 |

Notes:
1,920 piece packaging for HGTC-50 (4x4x5)
1,536 piece packaging for HGTC-50-P (4X4X4)
Pallet weight (44.1 lb / 20 kg) and boxes weight included.

\ HGTC-1/4-US AND HGTC-10-US THIMBLES

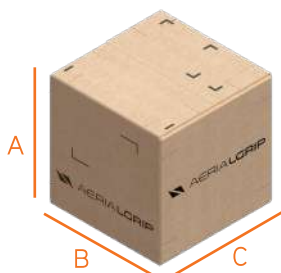
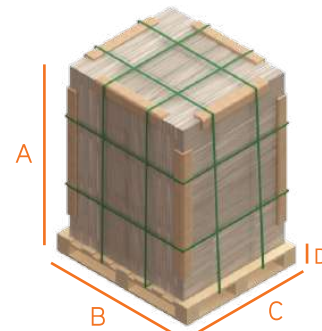


Fig 5. CC-MASTER-AE2



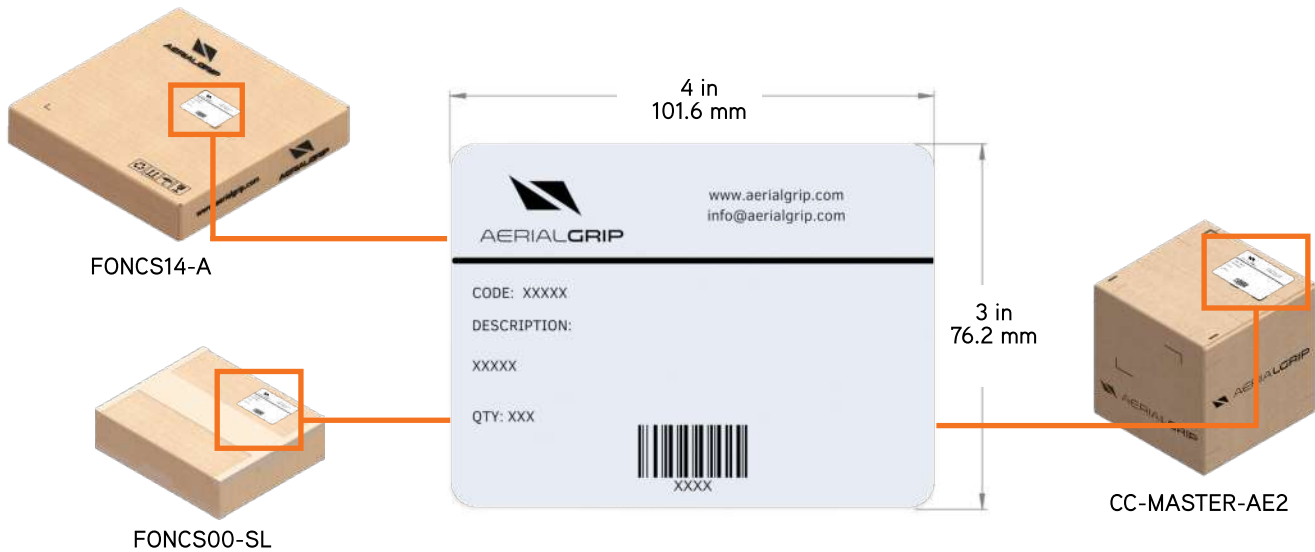
| Box | A (in/mm) | B (in/mm) | C (in/mm) | Weight (lb/kg) |
|----------|-----------|-----------|-----------|----------------|
| HGTC-10 | 9.64/245 | 10.2/260 | 10.2/260 | 18 / 8.2 |
| HGTC-1/4 | 9.64/245 | 10.2/260 | 10.2/260 | 19.4 / 8.8 |

Notes: 144 piece packaging for HGTC-10
440 piece packaging for HGTC-1/4

| Pallet | A (in/mm) | B (in/mm) | C (in/mm) | D (in/mm) | Weight (lb/kg) |
|----------|-----------|-----------|-----------|-----------|----------------|
| HGTC-10 | 63.4/1610 | 48/1219.2 | 40/1016 | 5.5/140 | 1878.4/462.7 |
| HGTC-1/4 | 63.4/1610 | 48/1219.2 | 40/1016 | 5.5/140 | 1885.4/855.2 |

Notes:
Pallet weight (44.1 lb / 20 kg) and boxes weight included.
HGTC-10-US arrangement: 3x3x6 (7776 pcs)
HGTC-1/4-US arrangement: 4x4x6 (42,240 pcs)

\ LABELING SPECIFICATIONS



\ ORDERING MATRIX

\ 1/4" THIMBLE

HGTC-1/4-US

\ ROUND THIMBLE AND THIMBLE CLEVIS

HGTC-XX-X-US



\ 70KN EXTENSION LINK

HET-70-X

