

SUSPENSION

SUSPENSION FOR ADSS CABLE



LITE SUPPORT FOR
ADSS CABLE



STANDARD SUPPORT
FOR ADSS CABLE



SUSPENSION FOR ADSS
CABLE

\ GENERAL

\ DESCRIPTION

AERIALGRIP® offers multiple hardware options depending on cable OD, span distance, NESC conditions and line angles to gently but firmly suspend and distribute efforts on ADSS cable through different cushion inserts to avoid slippage, cable damage and fiber attenuation.

Designed for installation through strapping or screwing. Cushions are made from a soft, dielectric material that gently grips the ADSS cable. Our different suspensions options are made from aluminum or hot dipped galvanized steel with the advantage that all components may be reused as desired.

\ FEATURES

- High UV resistance
- Various cushion insert configurations depending on cable diameter
- Compliant with IEEE 1591.2
- Ease of installation with strap & buckles or 5/8" bolt

Note: For use on standard polyethylene jackets only. DO NOT USE on track resistant cables.



\ SPECIFICATIONS

SUSPENSION AND SUPPORT HARDWARE SPECIFICATIONS			
	LITE SUPPORT FOR ADSS	STANDARD SUPPORT FOR ADSS	SUSPENSION FOR ADSS
SPAN LENGTHS	UP TO 600 FT	UP TO 600 FT	UP TO 1200 FT
VERTICAL LOAD RATING	3000 lb	4000 lb	5000 lb
LINE ANGLES	≤ 20 degrees	≤ 30 degrees	≤ 30 degrees
MOUNTING OPTIONS	Accepts 5/8" square head bolt or screw for wooden pole. Accepts 2 straps from up to 1" wide for banding options.	Accepts 1 strap from 1/2" to 1 1/4" wide for banding options	Fix anchor shackle to 5/8" oval eye bolt (bolted into wooden poles) or eye nut bracket (with straps and buckles, 2 straps, up to 1 1/4" wide)
MATERIAL	Hot dipped galvanized steel. Aluminum	Hot dipped galvanized steel	Hot dipped galvanized steel
CUSHION INSERT	Neoprene material with UV inhibitor, 2" wide	Neoprene material with UV inhibitor, 6" wide	Neoprene material with UV inhibitor, 6" wide
INCLUDED ACCESSORIES	Hot dipped galvanized bolt, nut and washer	Hot dipped galvanized bolt, nut and washer	Hot dipped galvanized anchor shackle, steel cotter pins, bolts, nuts and washers.
MOUNTING HARDWARE	Not included	Not included	Not included

Notes: Span distance varies based on NESC conditions. Shown spans consider NESC light conditions.

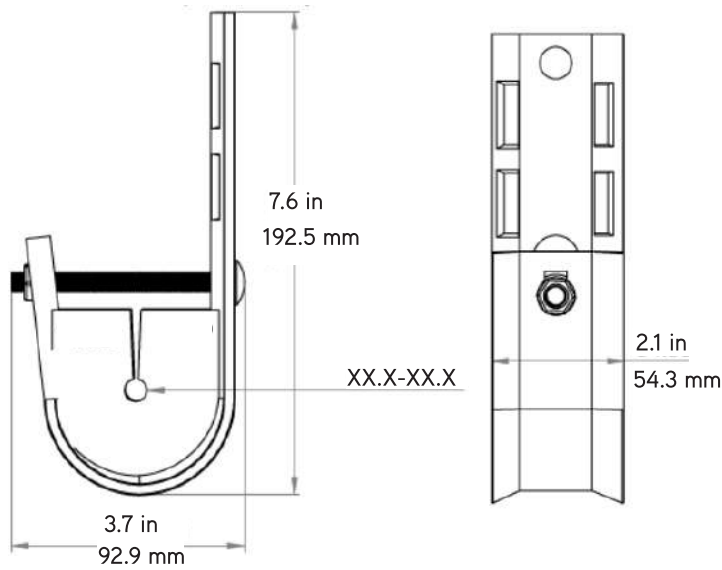
\ APPLICATION



Fig. 1 Suspension and support for ADSS cable applications

\ DIMENSIONS

\ HMXXADSS-XXX-XXX-100 LITE SUPPORT FOR ADSS CABLE



***Unit weight:**
 AG: 1.47 lb (670 g)
 AS: 0.88 lb (400 g)

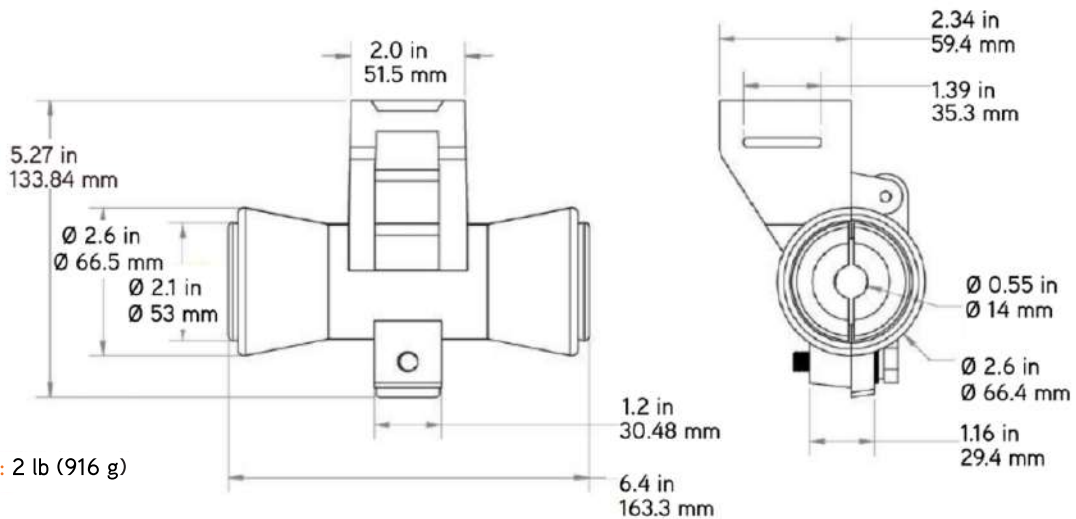
Note:
 *AG=Galvanized steel
 *AS=Aluminum



Fig. 2 HMXXADSS-XXX-XXX-100 Front & side view

Piece	Quantity
Type-J Galvanized steel suspension hardware	1 piece
5/16 x 3 1/4in carriage bolt	1 piece
Hex Nut	1 piece
Split lock washer	1 piece
Cushion	1 piece
Note: Mounting hardware sold separately.	

\ HSADSS-XX.X-XX.X STANDARD SUPPORT FOR ADSS CABLE



Unit weight: 2 lb (916 g)

Fig. 3 HSADSS-XX.X-XX.X Front & side view

Note: Dimensions in inches and millimeters



Piece	Quantity
Galvanized steel top base	1 piece
Galvanized steel bottom base	1 piece
UV resistant cushion	2 pcs.
3/16 x 1 3/4in bolt	1 piece
Jam nut	1 piece
Stainless steel washer	1 piece

\ HSCADSS-XX.X-XX.X SUSPENSION FOR ADSS CABLE

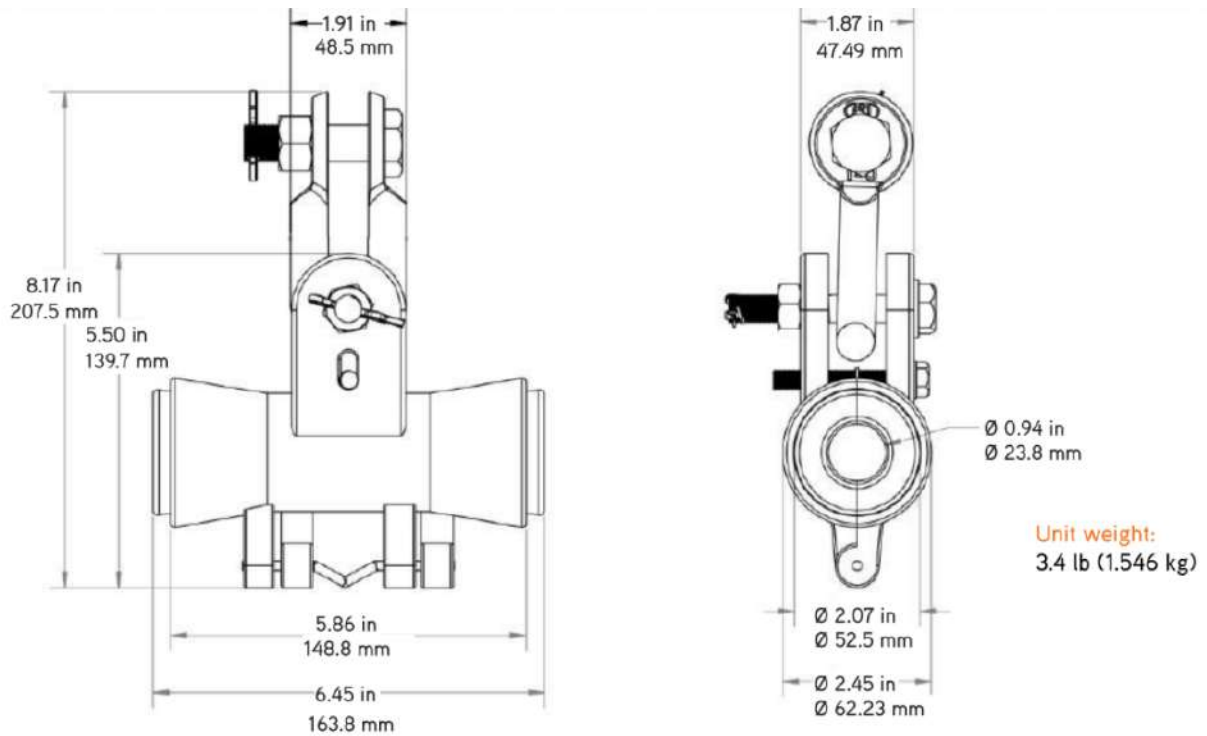


Fig. 4 HSCADSS-XX.X-XX.X Front and side view

Note: Dimensions in inches and millimeters



COMPONENTS	Quantity
Galvanized steel top base	1 piece
Galvanized steel bottom base	1 piece
UV resistant cushion base	2 pcs.
HGR-40KN anchor shackle body	1 piece
Bolts	3 pcs.
Humpback cotter pins	2 pcs.
Steel washers	2 pcs.

\ PACKAGING

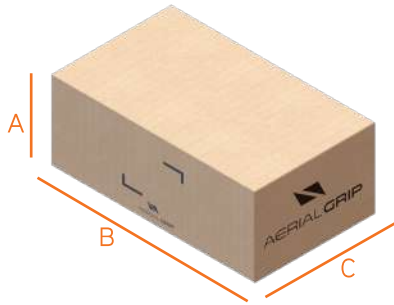


Fig 5. CC-MASTER-AE1

Box	A (in/mm)	B (in/mm)	C (in/mm)	Weight (lb/kg)
1	7.77/197.5	20/509	11.81/300	26.6 / 12.1*
2	7.77/197.5	20/509	11.81/300	30.2 / 13.7
3	7.77/197.5	20/509	11.81/300	27.1 / 12.3

Notes:

Box 1 - 18 piece packaging for HMXXADSS-XX.X-XX.X-100

Box 2 - 15 piece packaging for HSADSS-XX.X-XX.X

Box 3 - 8 piece packaging for HSCADSS-XX.X-XX.X

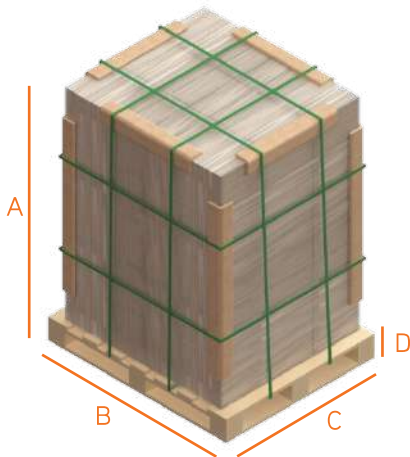


Fig 6. Full pallet arrangement: 2x3 boxes with 6 layers max.

Pallet	A (in/mm)	B (in/mm)	C (in/mm)	D (in/mm)	Weight (lb/kg) **
1	52.1/1325	48/1219.2	40/1016	5.5/140	1004.4/455.6
2	52.1/1325	48/1219.2	40/1016	5.5/140	1131.4/513.2
3	52.1/1325	48/1219.2	40/1016	5.5/140	1020.3/462.8

Notes:

Pallet 1 - 648 pieces total

Pallet 2 - 540 pieces total

Pallet 3 - 288 pieces total

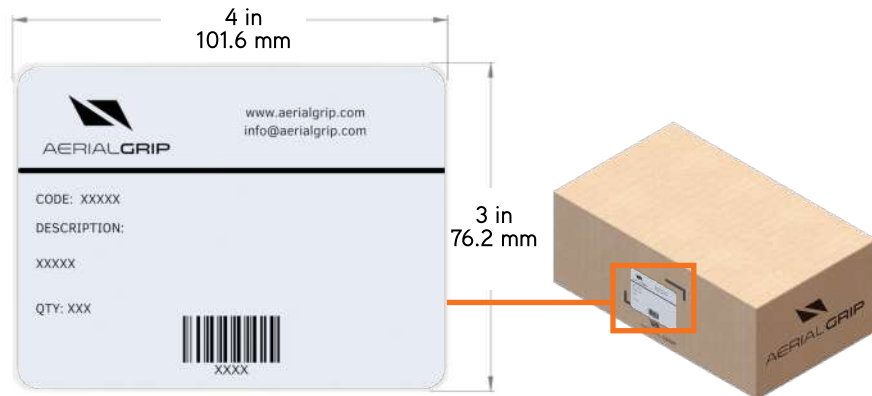
Notes:

*Weight shown for HMXXADSS-XX.X-XX.X-100 in galvanized steel.

Weights in aluminum: Box 1 = 15.8 lb / 7.2 kg, pallet 1 = 1022.76 lb / 463.92 kg.

**Boxes and pallet weight included.

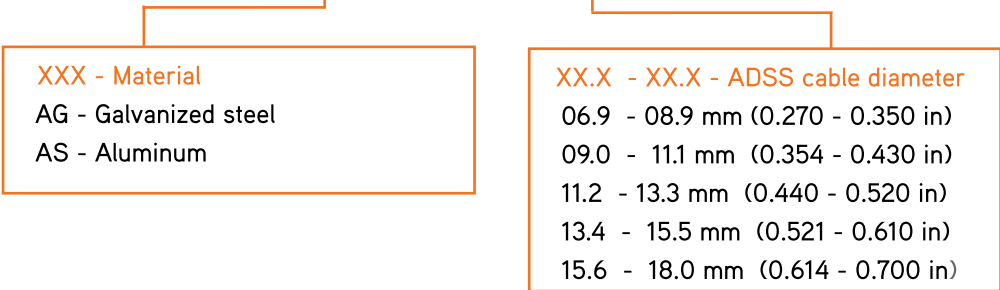
\ LABELING SPECIFICATIONS



\ ORDERING MATRIX

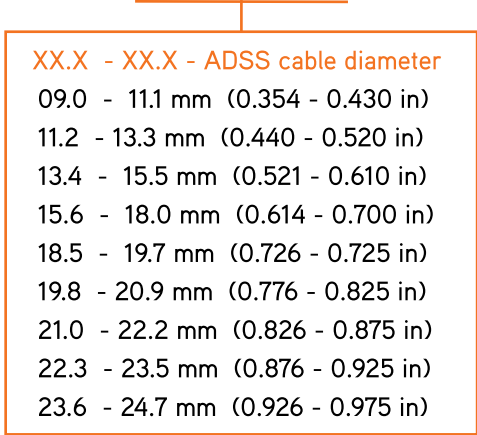
\ HMXXADSS-XX.X-XX.X-100 LITE SUPPORT FOR ADSS CABLE

HMXXADSS-XX.X-XX.X-100-US



\ HSDADSS-XX.X-XX.X STANDARD SUPPORT FOR ADSS CABLE

HSDADSS - XX.X-XX.X -US



\ HSCADSS-XX.X-XX.X SUSPENSION FOR ADSS CABLE

HSCADSS-XX.X - XX.X-US

