

## FIBER OPTIC CLEANER PEN

FCL-PXXX  
FIBER CLEANING

MEXFOSERV® is a complete product line of connectivity related products to support high speed telecommunications. Our designs offer the best quality and engineering solutions for every necessity and an excellent integration for network management.

The MEXFOSERV® Fiber Optic Cleaner Pen is a profitable & efficient option for ferrules through an adapter in an optical port or directly to the connector of any fiber optic assembly. This device removes dust, water droplets & oil marks that reduce the performance in network connections. The Fiber Optic Cleaner Pen can clean up to 800 times without extra effort or additional supplies.

### APPLICATIONS

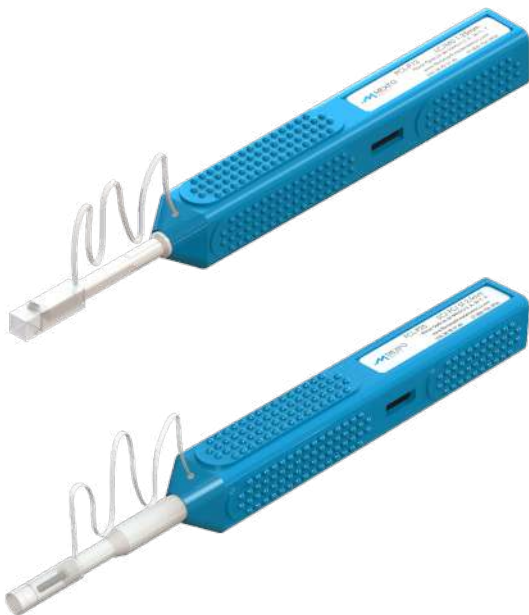
- Telecom
- Data transfer
- CATV
- LAN/WAN
- Indoor/outdoor applications

### GENERAL CHARACTERISTICS

- One push motion engages the connector and initiates cleaner
- 800 cleaning capacity
- Anti-static thread material
- Does not scratch the front face of the ferrule
- Dry "push-pull" cleaning method
- Remaining cleaning cloth visual indicator
- PLUS version with an elongated tip for better access to difficult spots

### STANDARDS

- GR-2923
- RoHS



Many of our fiber optic cleaning supplies are highly configurable. If you don't see what you are looking for or have questions about our ordering matrix contained on this spec sheet, please email us [info@mexfoserv.com](mailto:info@mexfoserv.com)



## SPECIFICATIONS

2.5MM SPECIFICATIONS	
Cleaning capacity	Up to 800 cleanings
Connector type	SC, FC, ST & E2000*
Ferrule diameter	2.5 mm (0.098")
Weight	FCL-P25: 28 gr (0.062 lb) FCL-P25P: 28 gr (0.062 lb) FCL-P25I: 25 gr (0.055 lb)
Operational temperature	-10 ~ 75°C (14°F ~ 167°F)
Polish type	UPC/APC
* E2000 Cleaner Pen only available with the FCL-P25I configuration.	
1.25MM SPECIFICATIONS	
Cleaning capacity	Up to 800 cleanings
Connector type	LC & MU
Ferrule diameter	1.25 mm (0.049")
Weight	FCL-P12: 28 gr (0.062 lb) FCL-P12P: 28 gr (0.062 lb) FCL-P12I: 25 gr (0.055 lb)
Operational temperature	-10 ~ 75°C (14°F ~ 167°F)
Polish type	UPC/APC



**Fig. 1** Ferrule alterations



**Fig. 2** FCL-P12I

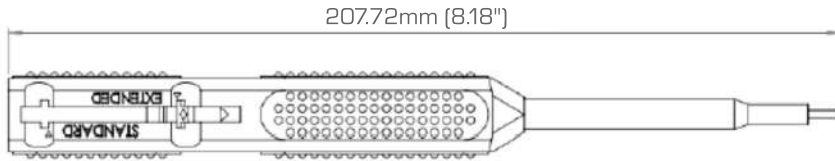


**Fig. 3** FCL-P25I

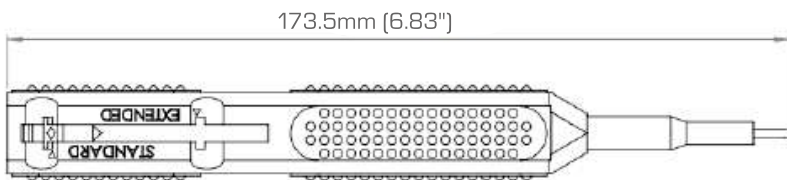


**DIMENSIONS**

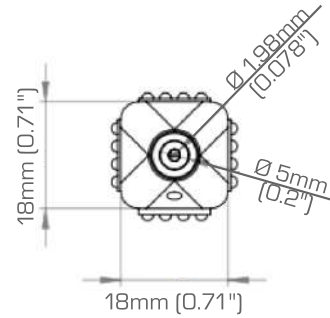
FCLP25 & FCLP12



**Fig. 4** Top view

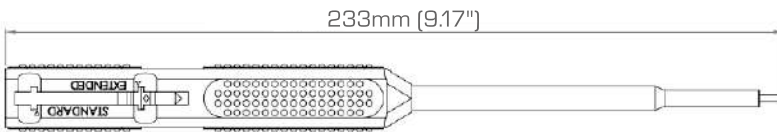


**Fig. 5** Top view (contracted)

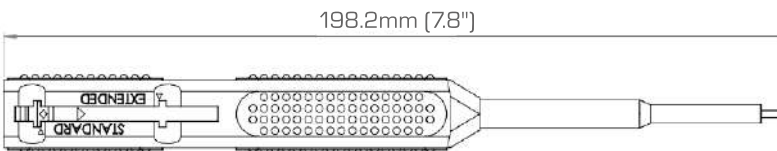


**Fig. 6** Front view

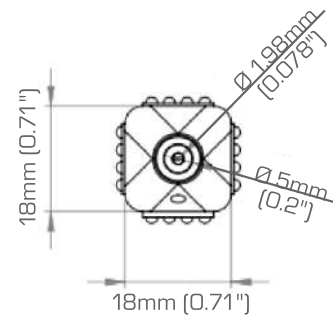
FCLP25P



**Fig. 7** Top view



**Fig. 8** Top view (contracted)



**Fig. 9** Front view



## PACKAGING

PACKAGING TYPE	
Individual	Cleaner Pen inside a CC-FCL-PXX 201.9x26x25mm (7.95"x1.024"x0.98") carton box (40gr/0.088 lb).
120 pieces	Inside a 490x92x482mm (19.29"x3.62"x18.98") FONCS14-M carton box (5 kg/ 11 lb).
240 pieces	Inside a 490x184x482mm (19.29"x7.24"x18.98") FONCS16-M carton box (10 kg/22 lb).



**Fig. 10** Individual package



**Fig. 11** FONCS14-M



**Fig. 12** FONCS16-M

**Notes:**

- Illustrative images
- Packaging type depends on amount of cleaners. Bigger and smaller boxes are available upon request.

## ORDERING MATRIX

### FIBER OPTIC CLEANER PEN

