

DEAD ENDS

FIBER DROP CLAMPS



HG-AI-800-US

\ GENERAL

\ DESCRIPTION

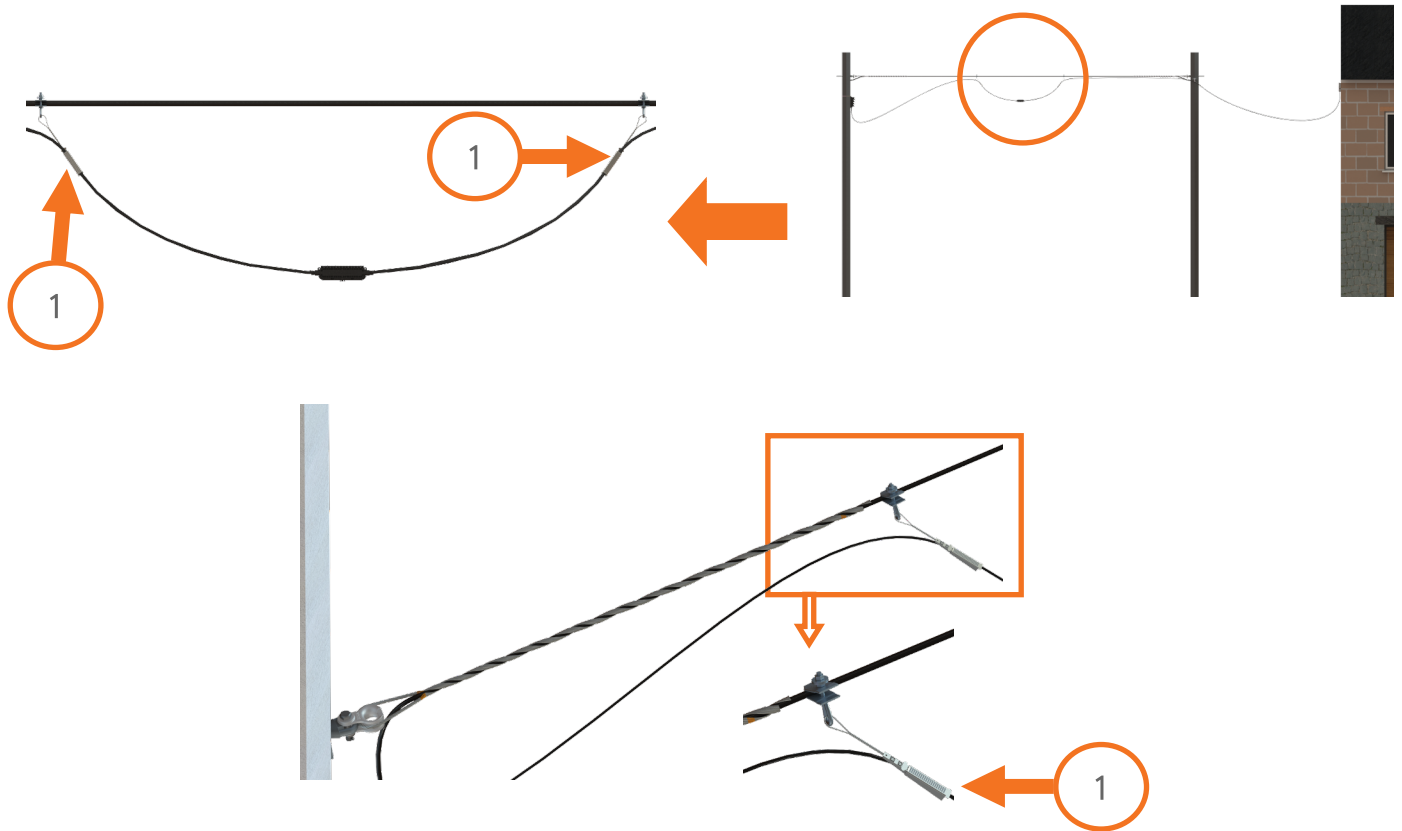
AERIALGRIP® Fiber Drop Clamps are dead end clamps made out of AISI 304 stainless steel. They're ideal for installations on buildings, poles or at mid-span in order support both ends in aerial service drop installations, allowing flat drop and micro flat drop cable. With the strength that exceeds the rated tensile strength of the applicable cable holding it without slippage until the cable breaks itself.

\ FEATURES

- Removable and reusable
- Corrosion resistant
- No maintenance required
- Body and shim manufactured with AISI 304 Stainless Steel
- Tail wire manufactured with AISI 430 Stainless Steel
- Mechanical tensile strength of 800 lb
- Supporting the maximum size of cable with the approximately sizes 0.35 in (9.1 mm) width and 0.18 in (4.8 mm) thick.



\ APPLICATION

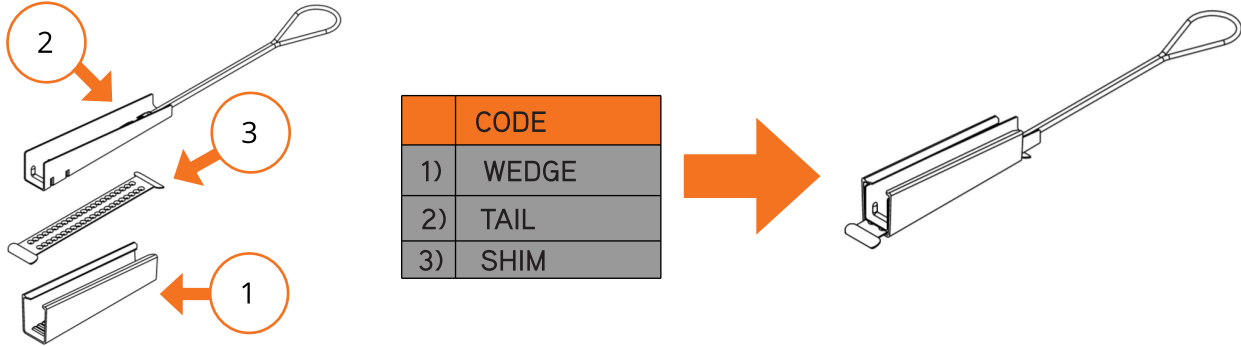
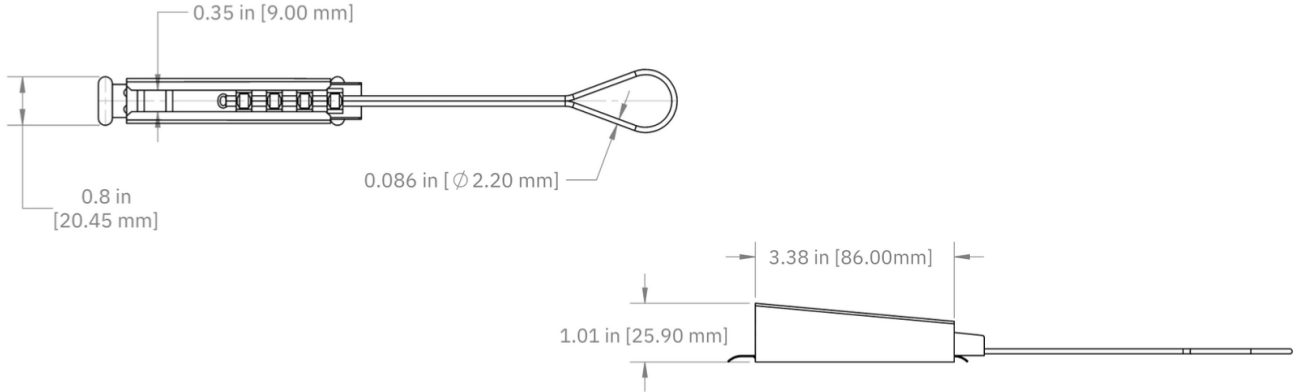


Note: Illustrative images

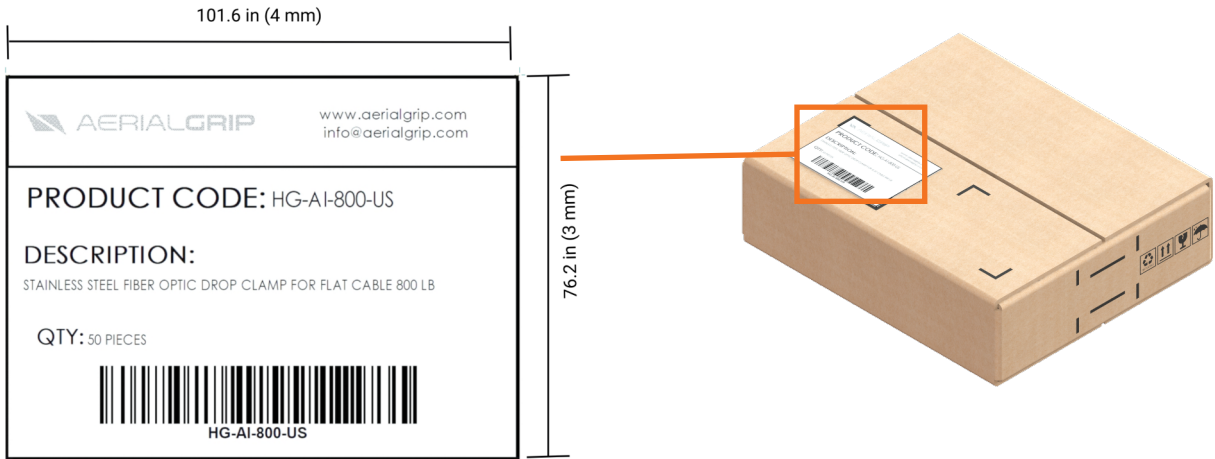
\ RELATED HARDWARE

	CODE	DESCRIPTION
1)	HG-AI-800-US	DROP CABLE WIRE CLAMP

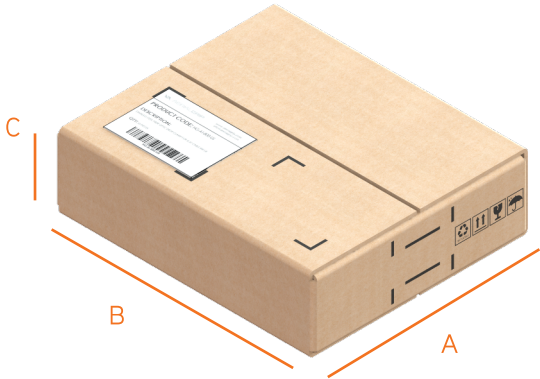
\ DIMENSIONS \ HG-AI-800-US



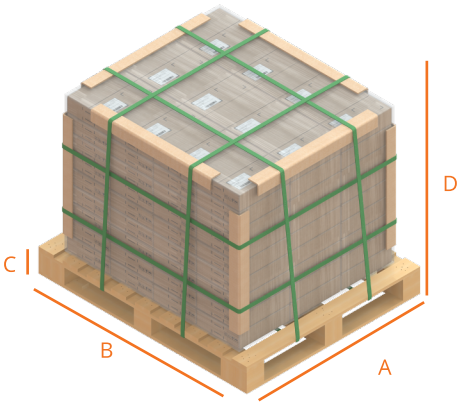
\ LABELING SPECIFICATIONS



\ PACKAGING



Box FONCS00-SL	A in(/mm)	B (in/mm)	C (in/mm)	Weight (lb/kg)
50 pcs	9.92/252.01	11.73/298	3.39/86.02	9.41/4.268



Pallet	A (in/mm)	B (in/mm)	C (in/mm)	D (in/mm)	Weight (lb/kg)*
5400 pcs	47.24/1200	39.37/1000	0.005/140	31.86/809.18	1060.29/480.94
Notes: Boxes and pallet included: (20 kg / 44.1 lb pallet) Box arrangement: 4x3x9					

Note: Illustrative images

\ ORDERING MATRIX

HG-AI-800-US