

FIBER CONNECTOR CLEANING CASSETTE

FCL-XXX
FIBER CLEANING

MEXFOSERV® is a complete product line of connectivity related products to support high speed telecommunications. Our designs offer the best quality and engineering solutions for every necessity and an excellent integration for network management.

The MEXFOSERV® Fiber Connector Cleaning Cassette is a must-have small-sized cleaner that offers the installer a quick & effective connector maintenance with a two-step process. The Fiber Optic Cleaning Cassette can clean 2.5mm & 1.25mm connectors up to 400 times without extra effort or additional supplies.



APPLICATIONS

- Compatible with SC, FC, ST, MU, LC & Female MTP®/MPO connectors
- Indoor/outdoor applications

GENERAL CHARACTERISTICS

- Manual functioning
- Cleaning method through a dry wipe that does not leave wastes
- Made of anti-static material
- Press the white button to get a new cleaning section

STANDARDS

- GR-2923
- RoHS



Many of our fiber optic cleaning supplies are highly configurable. If you don't see what you are looking for or have questions about our ordering matrix contained on this spec sheet, please email us info@mexfoserv.com



SPECIFICATIONS

SPECIFICATIONS	
Cleaning capacity	Up to 400 cleanings
Compatible connector type	2.5mm (0.098") & 1.25mm (0.049") SC, FC, ST, LC, MU & Female MTP®/MPO connectors
Weight	FCL-CAX 150gr (0.34 lb) FCL-RCX 130gr (0.29 lb)

- Keep this product in dry places and off high temperatures.
- Keep this product in a clean, sealed place

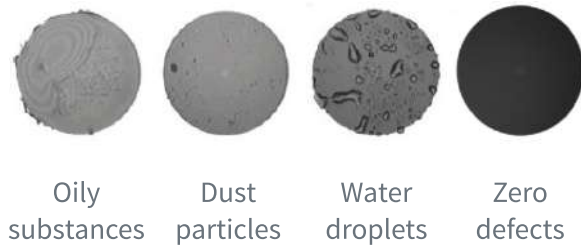


Fig. 1 Ferrule alterations

DIMENSIONS

FCL-CAS 2.5MM & 1.25MM FIBER CONNECTOR CLEANING CASSETTE

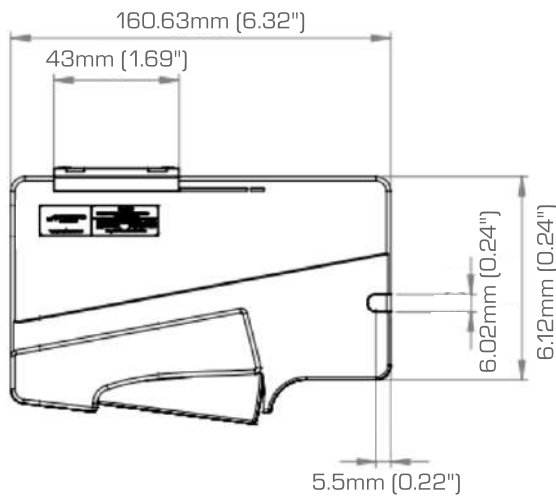


Fig. 2 Front view

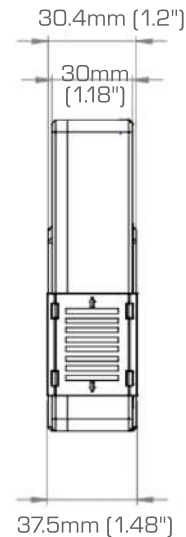


Fig. 3 Side view

Note: All dimensions are established in mm.



FCL-RCA 2.5MM & 1.25MM CONNECTOR CLEANER CASSETTE REPLACEMENT

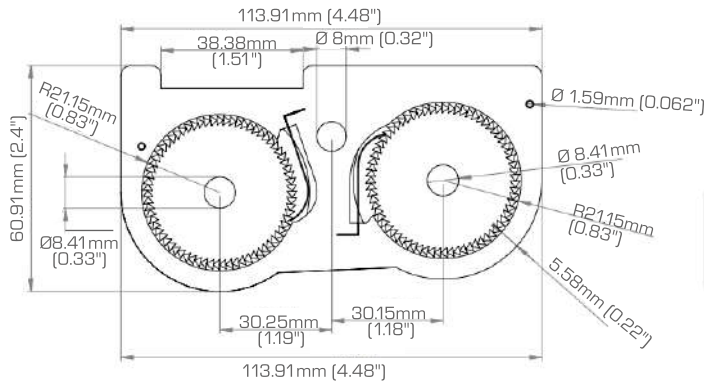


Fig. 4 Front view



Fig. 5 Isometric view

Note: All dimensions are established in mm.

PACKAGING

FIBER CONNECTOR CLEANING CASSETTE PACKAGING TYPE	
Individual	Cleaner inside a CC-FCL-CAS 133x90x36.4mm (5.24"x3.54"x1.43") box (150gr/0.34 lb).
38 pieces	Inside a 490x92x482mm (19.29"x3.62"x18.97") FONCS14-M carton box (5.75 kg/ 12.40 lb).
76 pieces	Inside a 490x184x482mm (19.29"x7.24"x18.97") FONCS16-M carton box (11.25 kg/ 24.80 lb).
REPLACEMENT PACKAGING TYPE	
Individual	Cleaner inside a CC-FCL-RCA 117x63.8x30.5mm (4.6"x2.51"x1.2") box (130gr/0.29 lb).
80 pieces	Inside a 490x92x482mm (19.29"x3.62"x18.97") FONCS14-M carton box (9.75 kg/ 21.5 lb).
160 pieces	Inside a 490x184x482mm (19.29"x7.24"x18.97") FONCS16-M carton box (19.5 kg/ 43 lb).



Fig. 6 Individual FCL-CAS box



Fig. 7 FONCS14-M



Fig. 8 FONCS16-M

Notes:

- Illustrative images
- Packaging type depends on amount of cleaners. Bigger and smaller boxes are available upon request.



ORDERING MATRIX

FIBER CONNECTOR CLEANING CASSETTE

FCL - CAS

CONNECTOR CLEANER CASSETTE REPLACEMENT

FCL - RCA