

DEAD ENDS

BANDING BRACKET ACCESSORY



HTD-1F-US



HTD-2F-US



HSP-100-1-3/4-US



HSP-300-2-11/4-US

Note: Illustrative images

\ GENERAL

\ DESCRIPTION

The AERIALGRIP® Banding Bracket Accessory is designed to give support and rigidity to aerial cable installations. The Type-D tension hardware provides resistance against strong weather conditions, made with hot-dipped galvanized steel to protect the cable from corrosion.

\ FEATURES

AERIALGRIP HTD-XF D SHAPED SINGLE AND DOUBLE BAND BRACKET

- Ideal for aerial F8 & ADSS cable installation
- Designed to support dead-end tension resistance
- Corrosion-resistant
- Ideal mechanical resistance for spans up to 600 ft (182.8 m)
- Includes security pin
- Permits the installation of 1 or 2 straps, up to 3/4in wide

AERIALGRIP HSP-X00-X-XX/X SINGLE AND DOUBLE BAND EYE NUT BRACKET

- Excellent fastening to utility posts (wood or concrete)
- Lightweight (1.21 lb / 550 g)



- Corrosion resistant
- Compatible with different strap sizes (3/4 in, 5/8 in and 1/2 in - 1 1/4 in)
- Tensile strength of up to 12,000 lb (5,443 kg)
- Adjustable oval eye nut for custom angles

\ APPLICATION

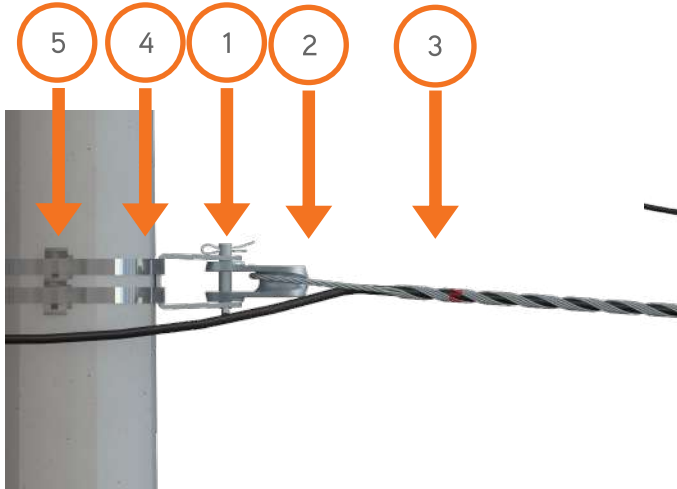


Fig. 1 HTD-XF banding bracket application with strap and buckles

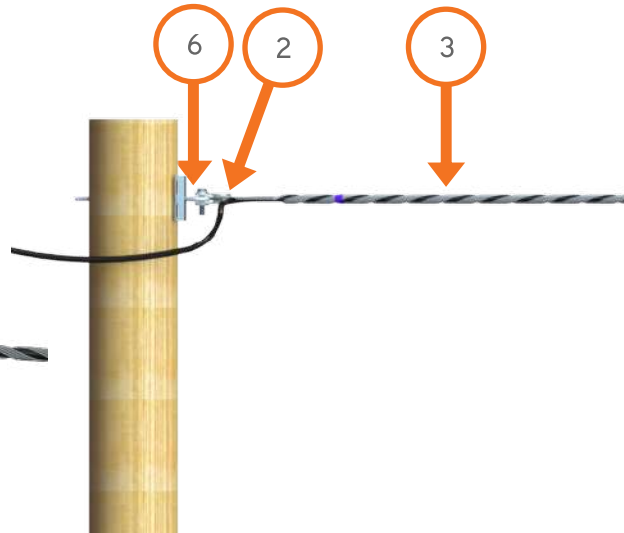


Fig. 2 HSP-300-X-X/X application with bolt installation. (Bolt inside post, not shown)

\ RELATED HARDWARE

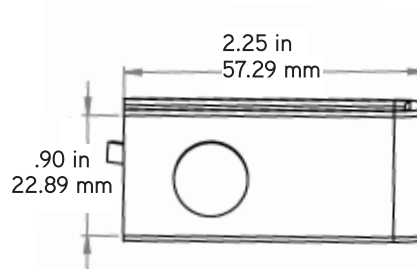
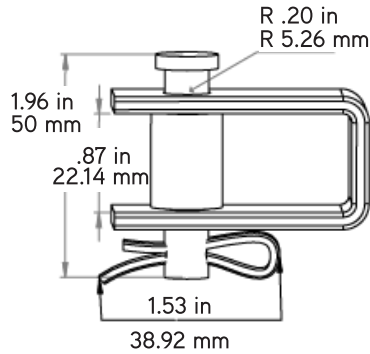
	CODE	DESCRIPTION	IMAGES
1)	HTD-XF HSP-300-2-11/4	BANDING BRACKET ACCESSORY	
2)	HGTC-50 HGTC-50-P	THIMBLE CLEVIS AND PRELOADED THIMBLE CLEVIS	
3)	HPXXX-XX.X-XX.X-XX	DEAD-END FOR ADSS CABLE	
4)	HF-X/X-30	STRAP AND BUCKLES	
5)	HB-X/X-100		
6)	8228 4106	SQUARE HEAD AND OVAL EYE BOLT*	

Table 1. Related Hardware.
*Each bolt includes a square nut.

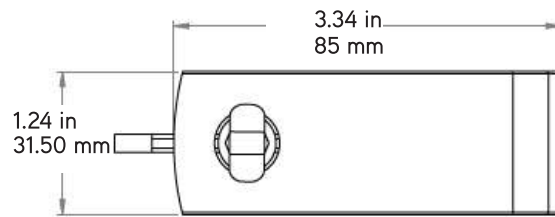
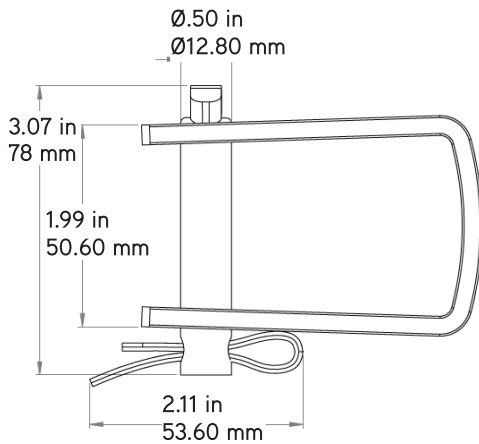
Note: Illustrative images

\DIMENSIONS

\ AERIALGRIP HTD-XF D SHAPED SINGLE AND DOUBLE BAND BRACKET

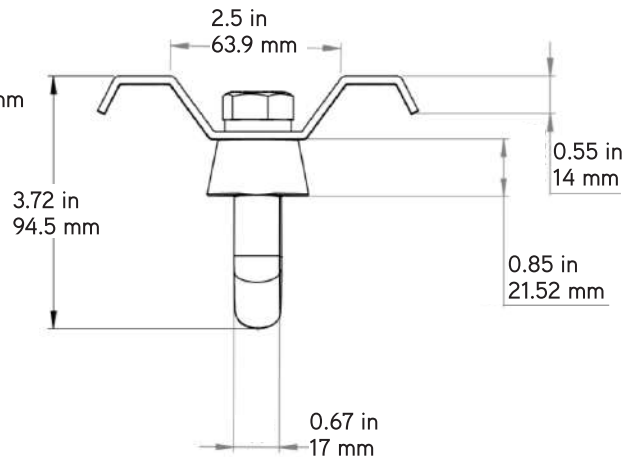
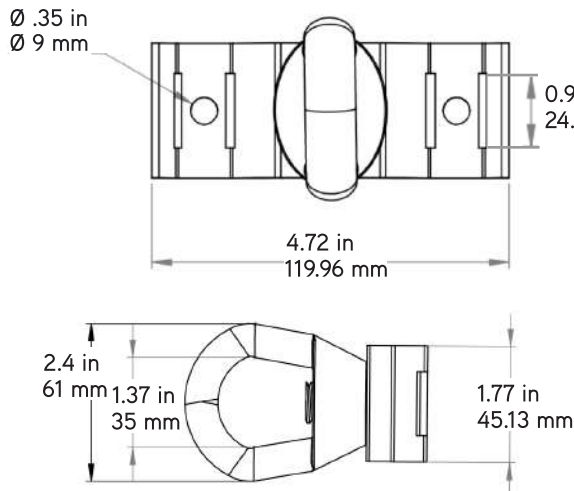


*Unit weight 0.31 lb ± 0.03 lb
(140 g ± 15 g)

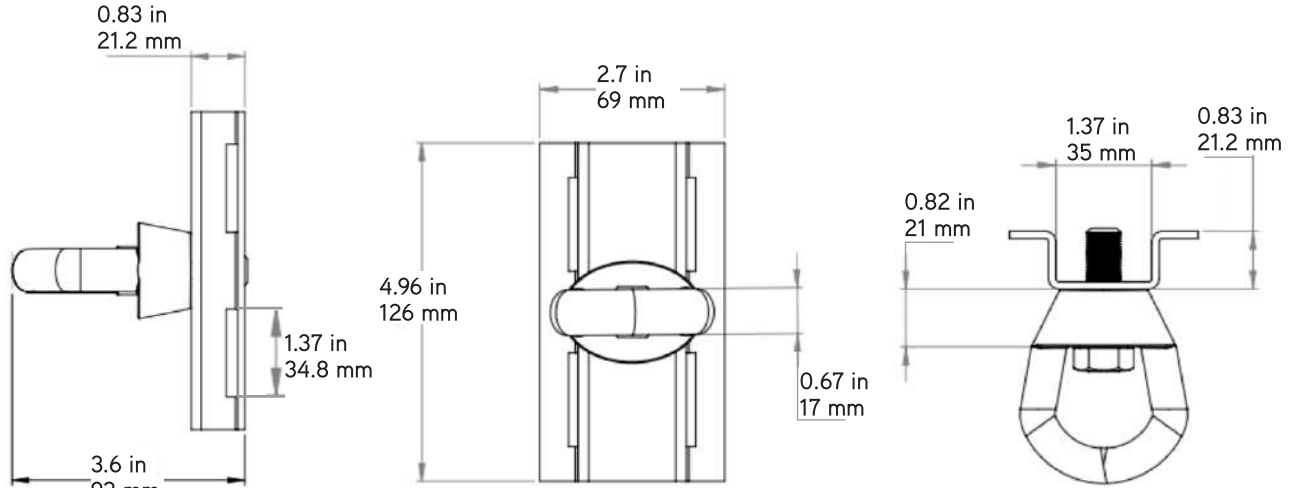


*Unit weight 0.66 lb ± 0.03 lb
(300 g ± 15 g)

\ AERIALGRIP HSP-X00-X-X/X SINGLE AND DOUBLE BAND EYE NUT BRACKET



*Unit weight 1.14 lb ± 0.03 lb
(520 g ± 15 g)



*Unit Weight: 1.21 lb ± 0.03 lb
(550 g ± 15 g)

Note: Dimensions in inches and millimeters

\ PACKAGING

\ AERIALGRIP HTD-XF-US D SHAPED SINGLE AND DOUBLE BAND BRACKET

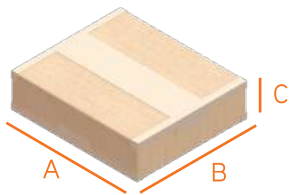


Fig. 3 FONCS00-A
(empty box weight 0.44lb/ 200g)

Box	A (in/mm)	B (in/mm)	C (in/mm)	Weight (lb/kg)
HTD-1F (50 pcs)	9.8/250	11.8/300	3.3/85	15.8 / 7.2
HTD-2F (10 pcs)	9.8/250	11.8/300	3.3/85	7.1 / 3.2

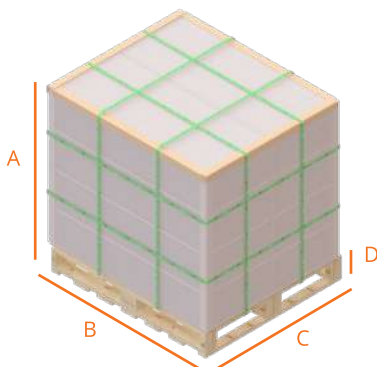


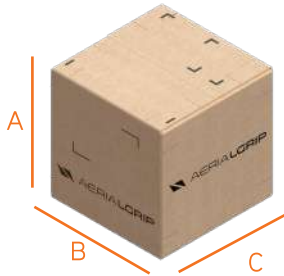
Fig. 4 Full pallet. (pallet weight 44.1 lb / 20 kg)

Pallet	A (in/mm)	B (in/mm)	C (in/mm)	D (in/mm)	Weight (lb/kg)*
HTD-1F	32.3/820	48/1219.2	40/1016	5.5/140	2075.9/941.6
HTD-2F	65.7/1670	48/1219.2	40/1016	5.5/140	2075.9/941.6

Note: *pallet weight included
 1. HTD-1F box arrangement: 4x4x8 (128 boxes / 6,400 pcs)
 2. HTD-2F box arrangement 4x4x18 (288 boxes / 2,880 pcs)

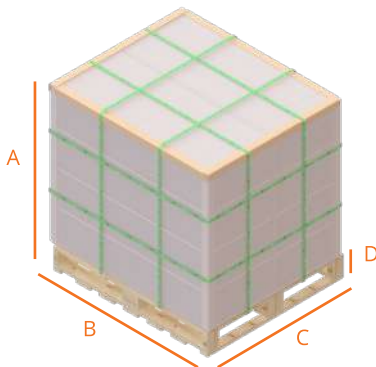
Note: Illustrative images

\ AERIALGRIP HSP-X00-X-XX/X-US SINGLE AND DOUBLE BAND EYE NUT BRACKET



Box	A (in/mm)	B (in/mm)	C (in/mm)	Weight (lb/kg)
HSP-100-1-3/4	9.65/245	10.24/260	10.24/260	12.33 / 5.6
HSP-300-2-11/4	9.65/245	10.24/260	10.24/260	13 / 5.9

Fig. 5 CC-MASTER-AE2. 10 piece packaging
Empty box weight: 0.87lb / 394g



Pallet	A (in/mm)	B (in/mm)	C (in/mm)	D (in/mm)	Weight (lb/kg)*
HSP-100-X-X/X	73/1855	48/1219.2	40/1016	5.5/140	1080.1 / 489.9
HSP-300-X-X/X	73/1855	48/1219.2	40/1016	5.5/140	1135.6 / 515.1

Note: *boxes and pallet weight included
 1. HSP-100-X-X/X box arrangement: 4x3x7 (84 boxes, 840 pieces)
 2. HSP-300-X-X/X box arrangement 4x3x7 (84 boxes, 840 pieces)

Fig. 6 Full pallet. (pallet weight 44.1 lb / 20 kg)

Note: Illustrative images

Note: Packaging "3" = HSP-100-1-X/X , packaging "4" = HSP-300-2-XX/X

\ LABELING SPECIFICATIONS



\ ORDERING MATRIX

\ AERIALGRIP HTD-XF-US D SHAPED SINGLE AND DOUBLE BAND BRACKET

HTD-XF-US

X - Amount of straps
1 - 1 Strap up to 3/4 in wide
2 - 2 Straps up to 3/4 in wide

\ AERIALGRIP SINGLE BAND EYE NUT BRACKET

HSP-100-1-3/4-US

\ AERIALGRIP DOUBLE BAND EYE NUT BRACKET

HSP-300-2-11/4-US