

## 2 PORT FIBER NETWORK INTERFACE DEVICE

FWB-02  
TERMINAL BOXES

The MEXFOSERV® Fiber Network Interface Device (NID) are typically attached to the side of a single family home and used as a transition point where the OSP cable is spliced to an indoor/outdoor cable. This UV resistance housing is designed for wall mount applications to provide ample room for the slack storage of the cable and protection for fiber optic connections and splices in indoor and outdoor environments.

MEXFOSERV® offers multiple pre-assembled terminal box options to minimize the time and cost of installation. It integrates fiber splicing, splitting, distribution, storage in one unit allowing the cables to be crossed and connected in a variety of ways. In addition, the Fiber Network Interface Device protects the fiber and provides good properties against dust & moisture.



2 Port Fiber Network Interface Device

### APPLICATIONS

- Indoor/Outdoor applications.
- FTTX.

### GENERAL CHARACTERISTICS

- SC or LC duplex adapter compatible.
- UV protection.
- Cable acceptance port is Flat Drop and Round cable compatible.
- Wall-mount.

### STANDARDS

- IP 65 rating
- Impact protection IK 7 rating
- Salt spray tested



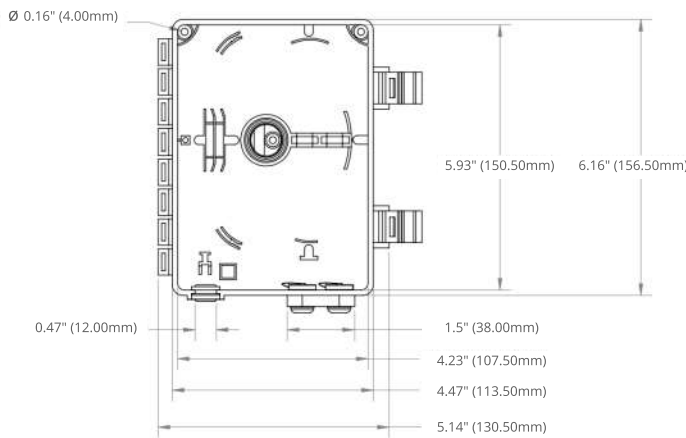
**Note:** Images for reference only



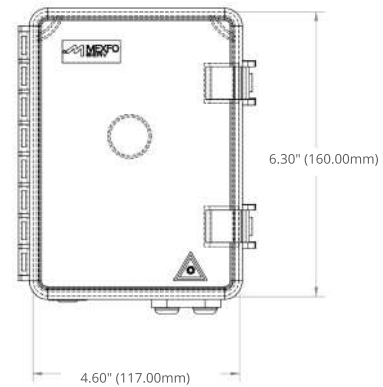
### SPECIFICATIONS

SPECIFICATIONS	
Simplex SC adapter capacity: 2 pcs	Dimensions: 165x134x37.5 mm (6.1"x5.2"x1.5")
Duplex LC adapter capacity: 1 pcs	Operational temperature: -40°C ~ 70°C (-40°F ~ 158°F)
2pcs - 60mm (2.36") - 1.5mm (0.05") splice sleeves	Material: ABS + PC
Weight: 180 gr (.40 lbs)	Color: White
10 mm (0.39"): input round cable maximum acceptance diameter	8.0 X 4.5 mm (0.39"): input flat drop cable maximum acceptance diameter
3 mm (0.11"): output cable maximum acceptance diameter	Wall width: 2 mm (0.08")

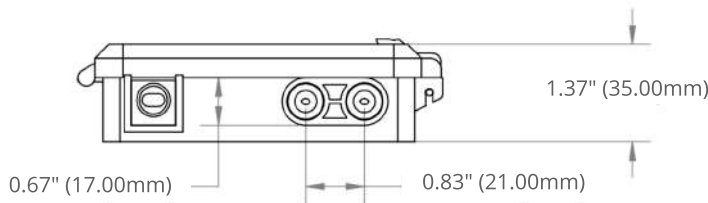
### DIMENSIONS



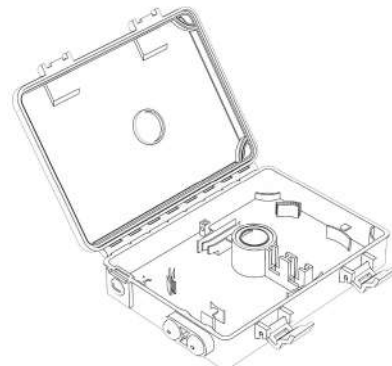
**Fig. 1** Top view (without cover)



**Fig. 2** Top view (with cover)



**Fig. 3** Side view



**Fig. 4** Detailed view

**Note:** Dimensions in inches and millimeters.



INCLUDED COMPONENTS					
FWB-02 2 PORT FIBER NETWORK INTERFACE DEVICE EMPTY		FWB-02-XX-XXX-A-X 2 PORT FIBER NETWORK INTERFACE DEVICE PRELOADED WITH ADAPTERS		FWBP-02-XX-XXX-X-X 2 PORT FIBER NETWORK INTERFACE DEVICE PRELOADED WITH ADAPTERS & PIGTAILS	
1 pc	Transition tube	1 pc	Transition tube	1 pc	Transition tube
4 pcs	Plastic cable ties	4 pcs	Plastic cable ties	4 pcs	Plastic cable ties
3 pcs	Screw with wall anchor	3 pcs	Screw with wall anchor	3 pcs	Screw with wall anchor
1 pc	8.0 X 4.5 mm flat drop cable plastic grommet	1 pc	8.0 X 4.5 mm flat drop cable plastic grommet	1 pc	8.0 X 4.5 mm flat drop cable plastic grommet
1 pc	Extra grommet for 3 mm round cable	1 pc	Extra grommet for 3 mm round cable	1 pc	Extra grommet for 3 mm round cable
2 pcs	Output Grommets Pre-installed	2 pcs	Output Grommets Pre-installed	2 pcs	Output Grommets pre-installed
4 pcs	60mm (2.36") splice sleeve with 1.5mm (0.05") guide	1-2 pcs	Adapters according to configuration	1-2 pcs	Adapters according to configuration
		4 pcs	60mm (2.36") splice sleeve with 1.5mm (0.05") guide	2 pcs	Pigtails according to configuration
				4 pcs	60mm (2.36") splice sleeve with 1.5mm (0.05") guide
					
<p><b>Note 1:</b> The installation manual will be located in the individual label as QR code and this label will be collocated in the outside part of the individual packaging.</p> <p><b>Note 2:</b> Terminal box goes with adapters &amp; pigtails inside (according to configuration).</p> <p>* Installation tools are not included.</p> <p>* * Illustrative images.</p> <p style="text-align: right;"><b>Note:</b> Illustrative images</p>					



## PACKAGING

PACKAGING SPECIFICATIONS			
PACKAGING	QUANTITY OF FWB-02 INTO A 175 x 137 x 40mm INDIVIDUAL BOX	QUANTITY OF INDIVIDUAL BOXES INTO A 300 x 250 x 250mm FONCS02-M	WEIGHT OF EVERY FONCS02-M
1	1 Piece	Fit 16 individual boxes (16 Pieces)	5 kg/11 lb

PALLET SPECIFICATIONS			
	QUANTITY OF FONCS02-M PER PALLET	TOTAL QUANTITY OF FWB-02 PER PALLET	TOTAL WEIGHT
1	96 FONCS02-M into a 48X40X5.37" (1219X1016X136.53mm) standard	1536 Pieces per pallet	480 kg/1058 lb

1



**Fig. 5** Individual packaging



**Fig. 6** FONCS02-M

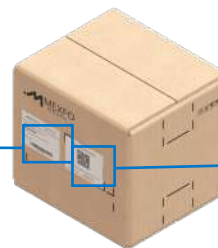


**Fig. 7** Pallet packaging

## LABELING SPECIFICATION



**Fig. 8** Individual packaging label



**Fig. 9** FONCS02M label



**Note:** Illustrative images

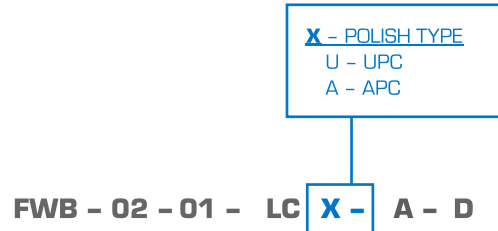


## ORDERING MATRIX

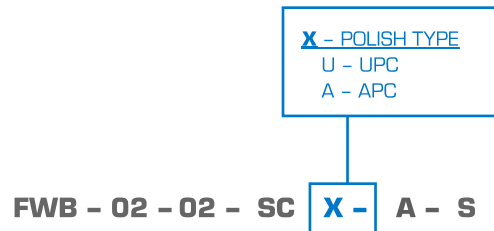
EMPTY 2 PORT FIBER NETWORK INTERFACE DEVICE

### FWB - 02

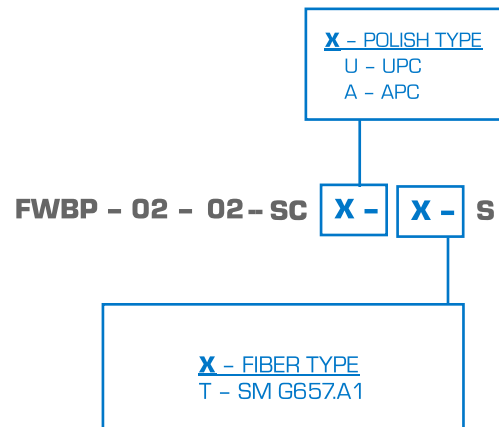
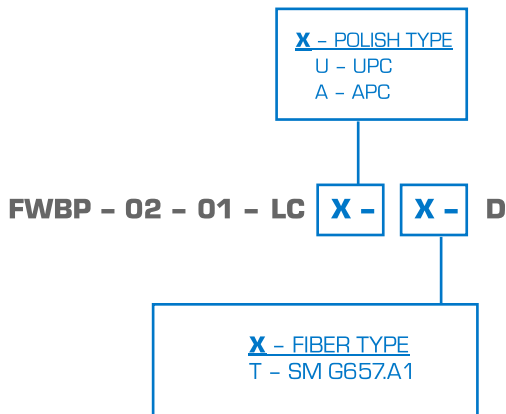
2 PORT FIBER NETWORK INTERFACE DEVICE PRELOADED WITH ONE LC DUPLEX ADAPTER



2 PORT FIBER NETWORK INTERFACE DEVICE PRELOADED WITH TWO SC SIMPLEX ADAPTERS



2 PORT FIBER NETWORK INTERFACE DEVICE PRELOADED WITH ADAPTERS & PIGTAILS



**Note:** The quantity and polish of the 2 meters (6.5 ft) pigtails will be the same as the adapters configuration.

**Note 1:** The 2 Port Fiber Network Interface Device only have 2 splice sleeves holders so there can be only two SC simplex adapters or one LC duplex adapter.

**Note 2:** The configuration with pigtails preloaded will be differenced with a P at the end of the first part of the configurable code (FWBP)

**Note 3:** The 2 Port Fiber Network Interface Device are highly configurable. Please contact your sales representative if you need help to configure your product or if a special pad printing is needed.

