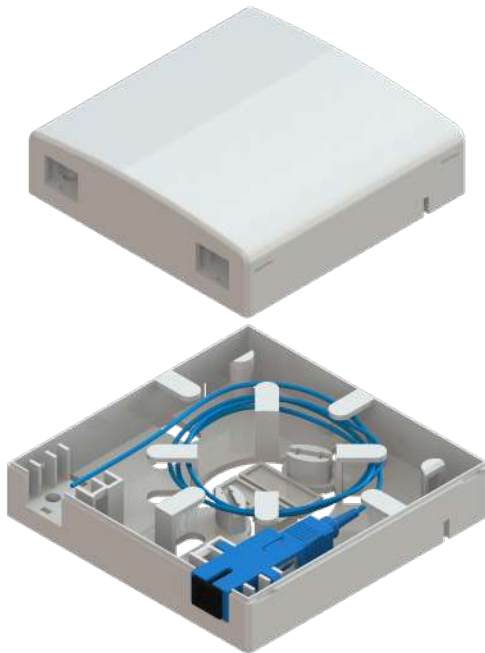


# 1 PORT FIBER OPTIC TERMINAL BOX

FWB-01  
TERMINAL BOXES

MEXFOSERV® offers a variety of desktop (wall-mountable) lightweight indoor high quality ABS Fiber Optic Terminal Boxes which are normally used as a termination point inside the home, office or apartment for the feeder cable to connect with cable in FTTX applications. It integrates distribution and storage in one unit allowing the cables to be crossed and connected in a variety of ways. In addition, the Fiber Optic Terminal Box protects the bend radius and provides good properties against dust & moisture.

The 1 Port Fiber Optic Terminal Box is a widely customizable product. MEXFOSERV® adds the option for pad printing to include the customer logo, to be able to differentiate your product as well as multiple preassembled options to minimize the cost of installation, allowing an easy, fast & unobtrusive termination in an office, home or communications room.



1 Port Fiber Optic Terminal Box

## APPLICATIONS

- Indoor applications
- FTTX

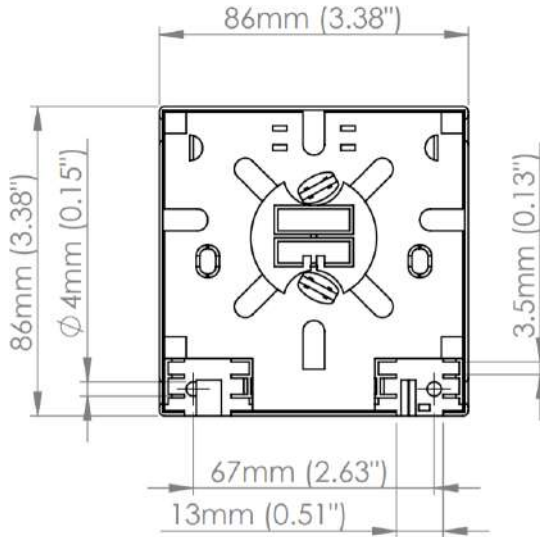
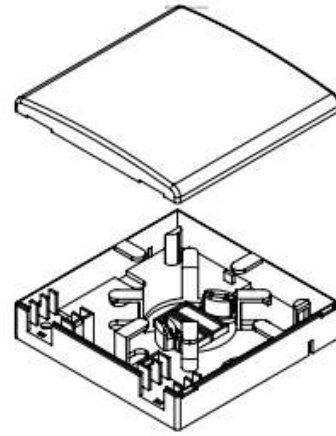
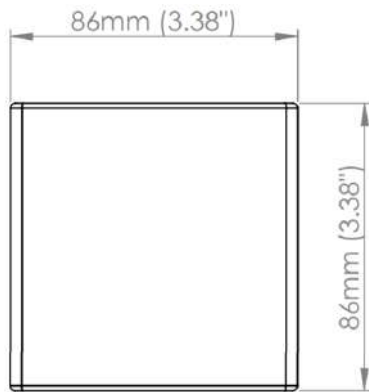
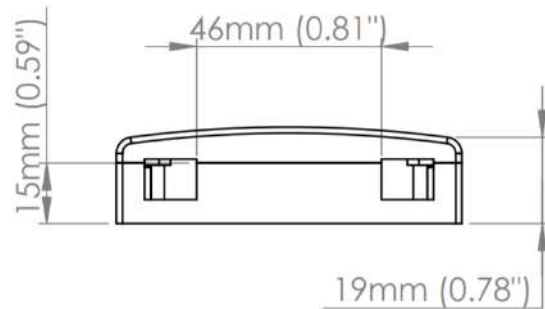
## GENERAL CHARACTERISTICS

- Indoor wall-mount
- 3.38"x3.38" (86x86mm) wall outlet box mounting
- SX SC & DX LC adapter compatible
- Access to drop cable: vertical input/output.
- Includes mounting accessories.
- Material: ABS.
- White color.

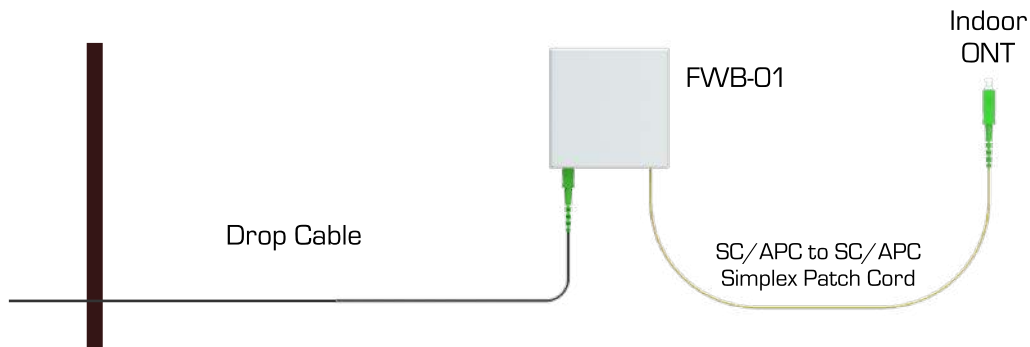


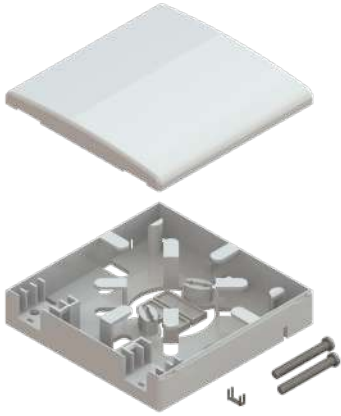
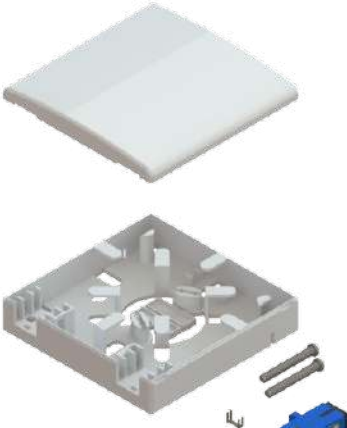

**Note:** Images for reference only



**DIMENSIONS**

**Fig. 1** Top view

**Fig. 2** Detailed view

**Fig. 3** Top view (with cover)

**Fig. 4** Side view

**Note:** Dimensions in millimeters and inches.

**INSTALLATION MODEL**


INCLUDED COMPONENTS					
FWB-01-EMP EMPTY 1 PORT FIBER OPTIC TERMINAL BOX		FWB-01-XXX-X-A-X 1 PORT FIBER OPTIC TERMINAL BOX PRELOADED WITH ADAPTERS		FWBP-01-XXX-X-X-X 1 PORT FIBER OPTIC TERMINAL BOX PRELOADED WITH ADAPTERS AND PIGTAILS	
1 pc	Cable buckle holders	1 pc	Cable buckle holder	1 pc	Cable buckle holder
2 pcs	Round head screws	2 pcs	Round head screws	2 pcs	Round head screws
		1 - 2 pcs	Adapter as ordering matrix	1 - 2 pcs	Adapter as ordering matrix
				2 - 4 pcs	Splice sleeve (FM-MO-ME-45-10)
				1 - 2 pcs	2m Pigtail according to configuration
					
<p><b>Note:</b>            * Installation tools are not included            * * Illustrative images</p>					



## PACKAGING

PACKAGING SPECIFICATIONS	
Individual	Terminal Box inside a 120x120 mm (4.72x4.72") bag
40 Pieces	Individual packages inside a 500 x 99 x 500mm (19.69 x 3.9 x 19.69") FONCS14-M carton box (2.16 kg)
80 Pieces	Individual packages inside a 500 x 198 x 500mm (19.69 x 7.8 x 19.69") FONCS16-M carton box (4.32 kg)
Master box	3 FONCS16-M fit inside a 604 x 501 x 501mm (23.78 x 20.08 x 20.08") FONCS15-M master box (13.2 kg)



**Fig.5** Plastic bag



**Fig. 6** FONCS14-M



**Fig. 7** FONCS16-M



**Fig. 8** FONCS15-M

PALLET PACKAGING	
Pallet	Standard pallet 1x1.2 mts.
Maximum capacity	3 beds with 4 boxes in each bed, 12 FONCS15-M boxes in total on the pallet, protected by stretch wrap, strapping and corner protectors. 1.02 x 1.96 x 1.2 m



**Fig. 8** Pallet packaging

**Note:** Illustrative images

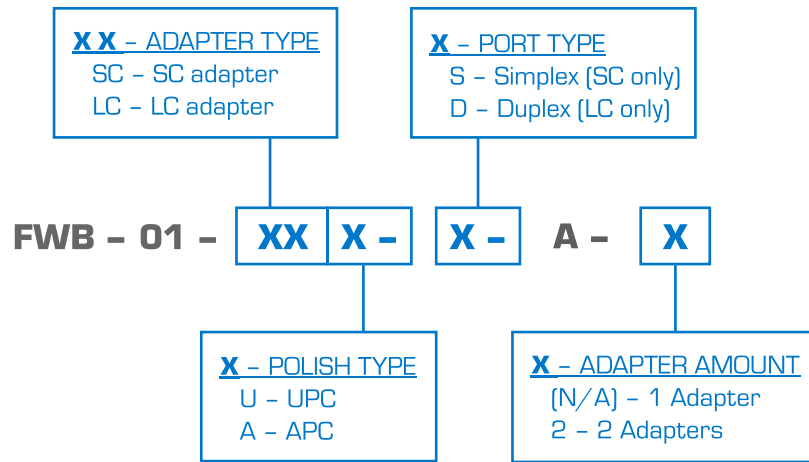


## ORDERING MATRIX

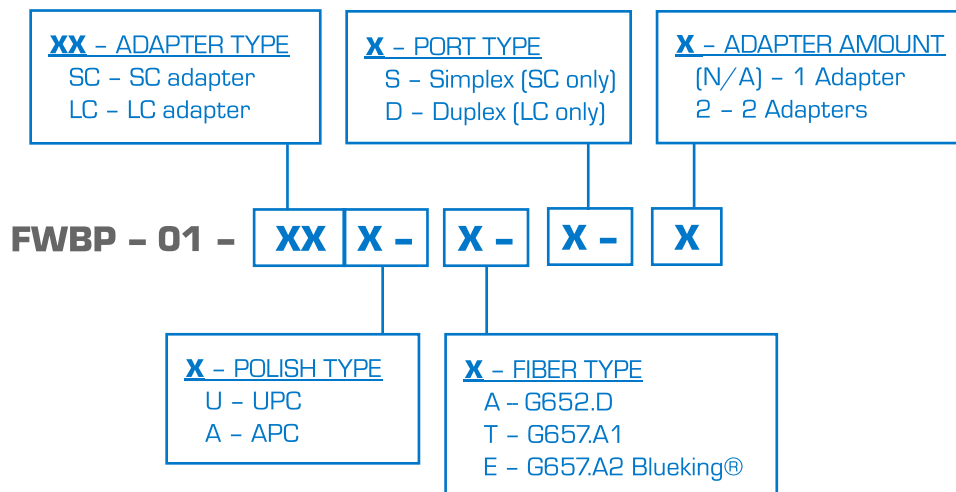
EMPTY 1 PORT FIBER OPTIC TERMINAL BOX

### FWB - 01 - EMP

1 PORT FIBER OPTIC TERMINAL BOX PRELOADED WITH ADAPTER



1 PORT FIBER OPTIC TERMINAL BOX PRELOADED WITH ADAPTER & PIGTAILS



**Note 1:** Preassembled parts are highly configurable. Please contact your sales representative if you need help to configure your product or if a special pad printing is needed.

**Note 2:** In 1 Port Fiber Optic Terminal Box preloaded with adapters and pigtails, the 2 meters (6.5 ft) pigtail will be included to match adapter configuration.



