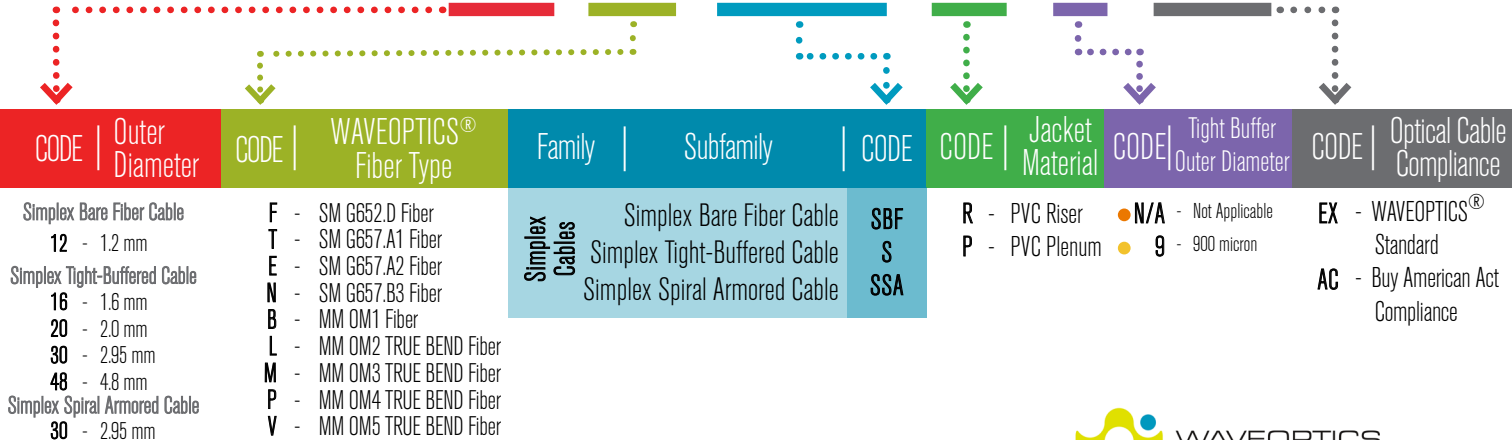




## Simplex Cables Part Number Configurator

FCA - **XX** - **X** - **XXXX** - **X** - **X** - **XX**



### CODE | OFS® Fiber Type

- |   |   |
|---|---|
| <b>1</b> - SM G652.D Fiber                      | <b>8</b> - MM OM2 TRUE BEND Fiber 50 um Graded Index  |
| <b>2</b> - SM G657.A1 Fiber AllWave® FLEX       | <b>9</b> - MM OM3 TRUE BEND Fiber LaserWave® FLEX 300 |
| <b>3</b> - SM G657.A2 Fiber AllWave® FLEX+      | <b>0</b> - MM OM4 TRUE BEND Fiber LaserWave® FLEX 550 |
| <b>6</b> - SM G657.B3 Fiber EZ-Bend®            | <b>4</b> - MM OM5 Fiber LaserWave® WideBand           |
| <b>5</b> - MM OM1 Fiber 62.5 um Laser Optimized |   |



- N/A - Only applicable for Simplex Bare Fiber Cable.
- 09 - Only applicable for Simplex Tight-Buffered Cable and Simplex Spiral Armored Cable.

Please contact your WAVEOPTICS® distributor if you have questions about the part number configurator.